

**UNCONTROLLED DOCUMENT
WILL NOT BE UPDATED**

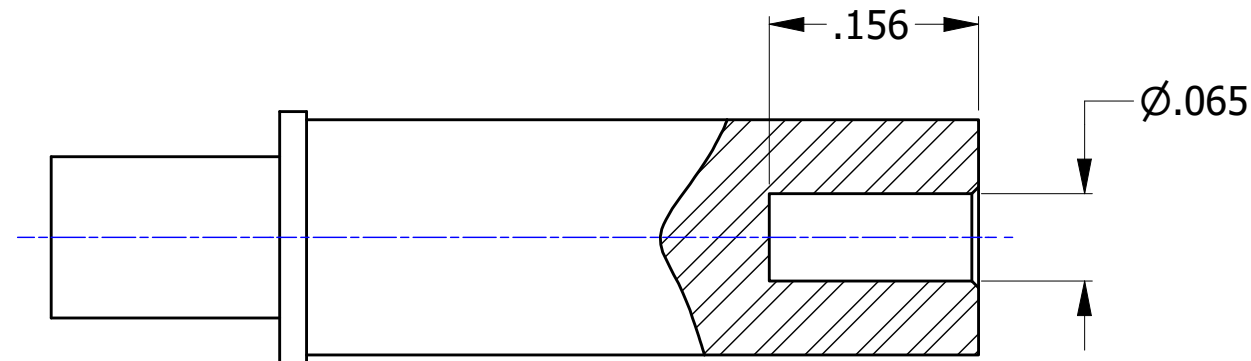
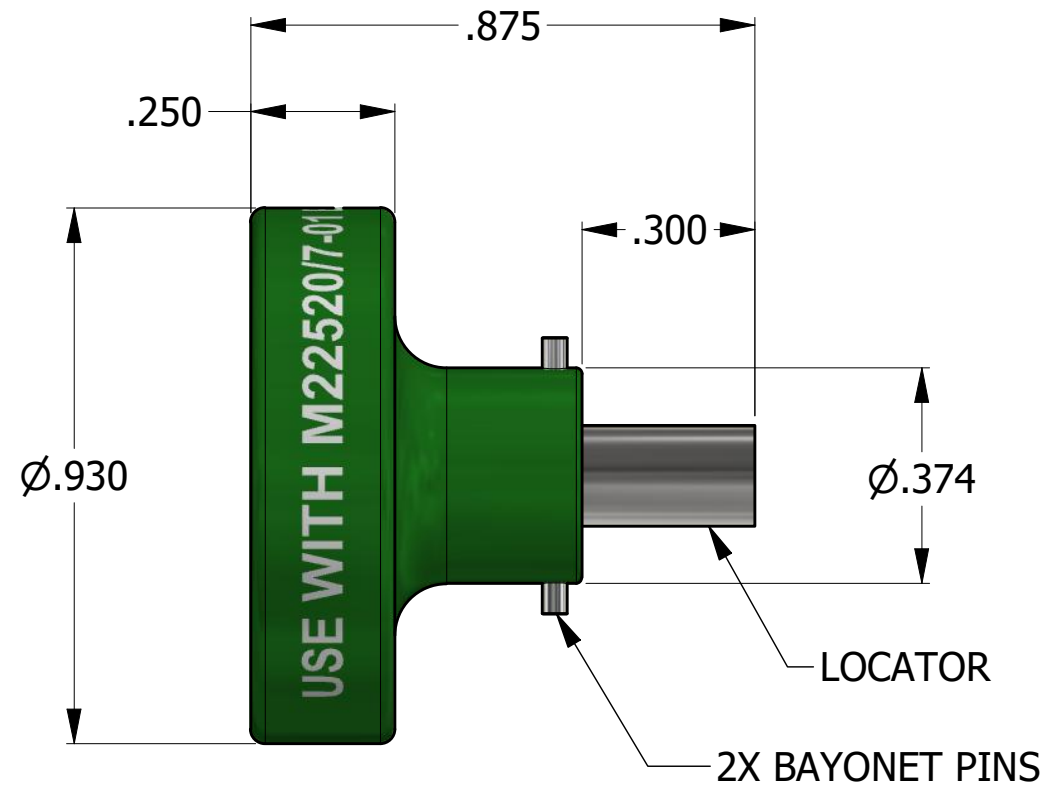
DIMENSIONS IN INCHES - UNLESS OTHERWISE SPECIFIED

REVISIONS

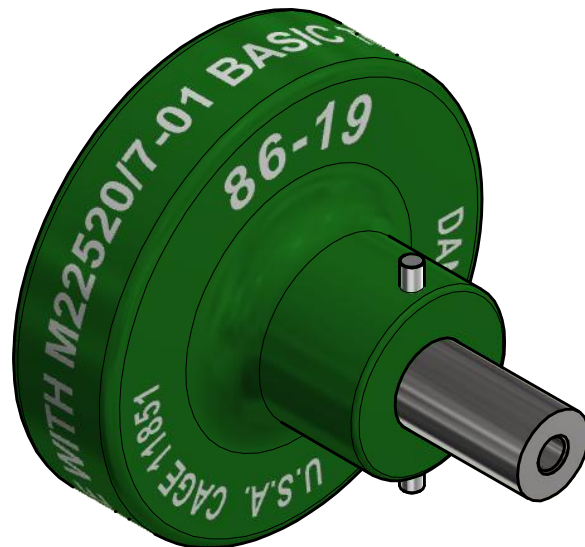
REV	ECO NO.	DESCRIPTION	BY	DATE	APP'D BY	DATE
2		REDRAWN	AAM	11/9/1999	R ³	11/9/1999
3	25000	DATAPLATE UPDATED	TonyD	9/9/2020		

M39029	WIRE	SEL
/22-191	22	4
	24	3
	26	2
/22-190	28	5
	30	4
	32	3

DATAPLATE



LOCATOR



MATERIAL	ITEM	PART NO.	QTY.	DESCRIPTION / REMARKS
N/A	DRN. ASM CHK'D.	DATE 12/17/1987 DATE		DMC DANIELS MANUFACTURING CORP. ORLANDO, FLORIDA CAGE 11851
RESTRICTED & CONFIDENTIAL CONFIDENTIAL PROPERTY OF DANIELS MANUFACTURING CORP. NOT TO BE DISCLOSED TO OTHERS. REPRODUCTION OR USED FOR ANY OTHER PURPOSE EXCEPT AS AUTHORIZED IN WRITING BY DANIELS MANUFACTURING. MUST BE RETURNED TO DANIELS MANUFACTURING CORP. ON COMPLETION OF ORDER OR PURPOSES FOR WHICH LENT.	HEAT TREAT	N/A		NOTE: THIS DRAWING IS AN OUTLINE DRAWING OF THE RESPECTIVE DMC PART NUMBER INDICATED. ACTUAL DMC PART NUMBER IS CAD PART NUMBER WITHOUT THE "-ENV" SUFFIX
CREATED FROM AN INVENTOR MODEL. CHANGES MUST BE REFLECTED IN THE 3D PART	FINISH	N/A		TITLE POSITIONER (M22520/7-11) ENVELOPE DRAWING WHERE USED: MH860
DO NOT SCALE DRAWING			SIZE B	SCALE 3 : 1
			CAD P/N	SHEET
			86-19-ENV	1 OF 1
			DWG. NO. 86-19	REV. 3