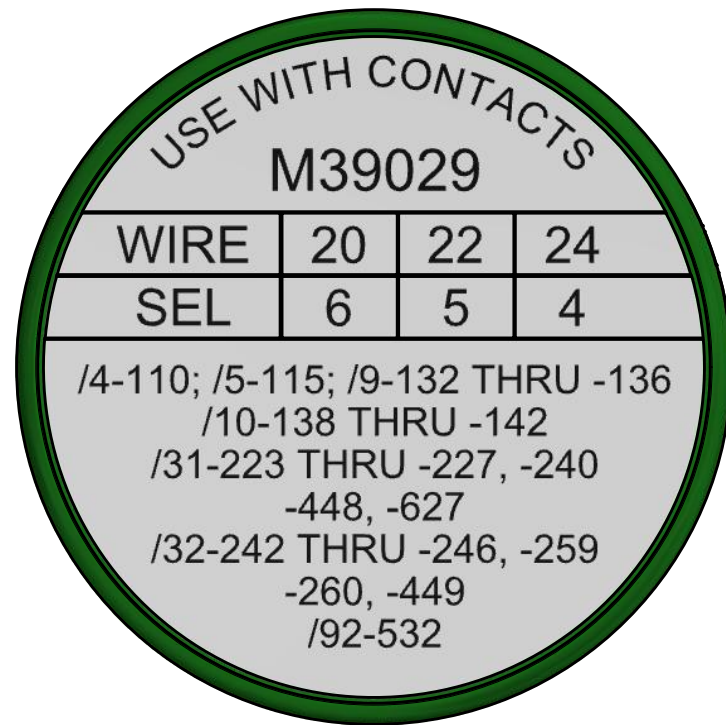


**UNCONTROLLED DOCUMENT
WILL NOT BE UPDATED**

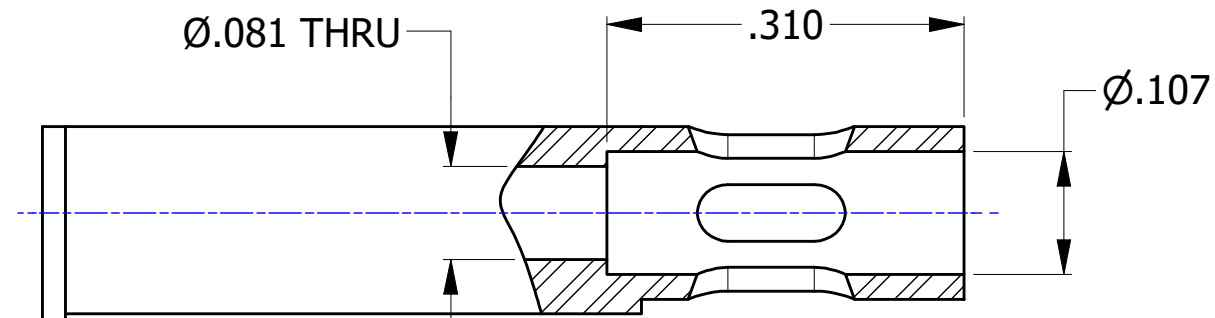
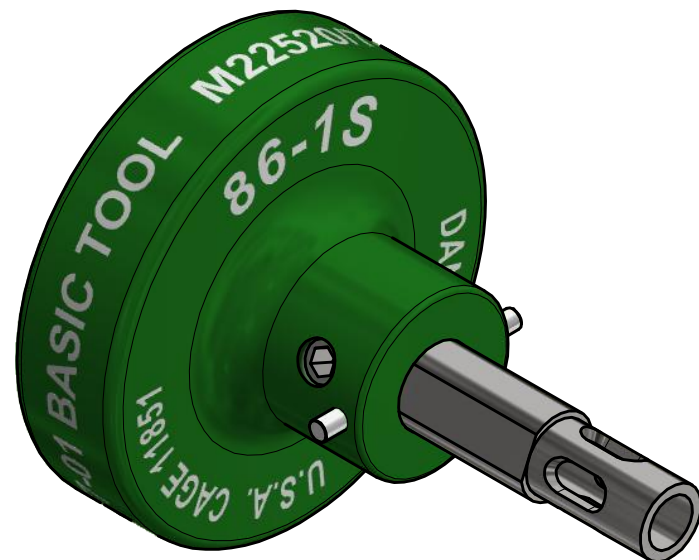
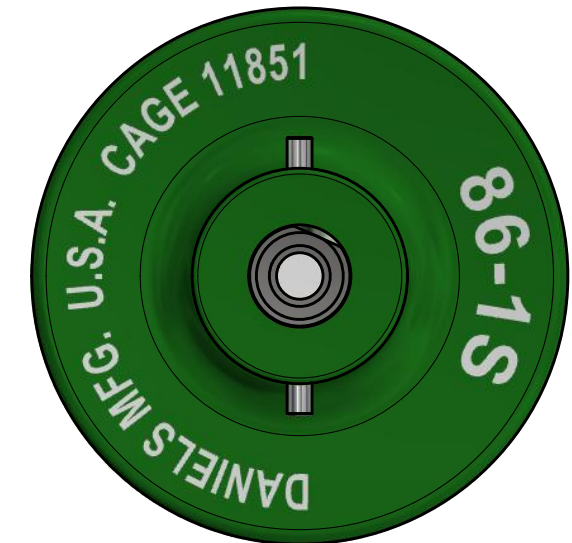
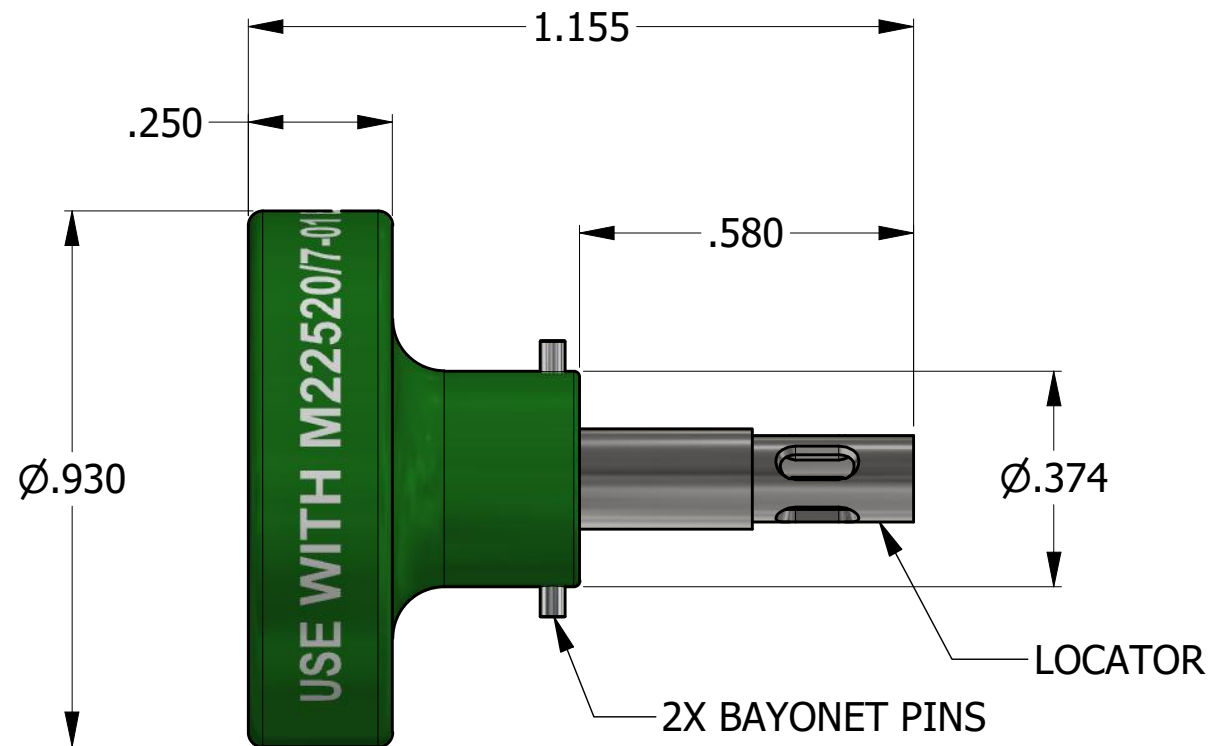
DIMENSIONS IN INCHES - UNLESS OTHERWISE SPECIFIED

REVISIONS

REV	ECO NO.	DESCRIPTION	BY	DATE	APP'D BY	DATE
2		ADDED CHART	JWJ	4/18/2003	RRR	4/18/2003
3		Ø.081 THRU WAS x .800 DEEP	TonyD	3/16/2011		
4	25000	DATAPLATE UPDATED	TonyD	8/8/2020		



DATAPLATE



LOCATOR

MATERIAL	ITEM	PART NO.	QTY.	DESCRIPTION / REMARKS
N/A	DRN. J. JOYCE CHK'D.	DATE 12/28/1999 DATE		DMC DANIELS MANUFACTURING CORP. ORLANDO, FLORIDA CAGE 11851
RESTRICTED & CONFIDENTIAL CONFIDENTIAL PROPERTY OF DANIELS MANUFACTURING CORP. NOT TO BE DISCLOSED TO OTHERS. REPRODUCTION OR USED FOR ANY OTHER PURPOSE EXCEPT AS AUTHORIZED IN WRITING BY DANIELS MANUFACTURING. MUST BE RETURNED TO DANIELS MANUFACTURING CORP. ON COMPLETION OF ORDER OR PURPOSES FOR WHICH LENT.	HEAT TREAT	N/A		TITLE POSITIONER (M22520/7-02) ENVELOPE DRAWING
CREATED FROM AN INVENTOR MODEL. CHANGES MUST BE REFLECTED IN THE 3D PART	FINISH	N/A		WHERE USED: MH860 SIZE B SCALE 3 : 1 CAD P/N 86-1S-ENV SHEET 1 OF 1 DWG. NO. 86-1S REV. 4
DO NOT SCALE DRAWING				

NOTE:
THIS DRAWING IS AN OUTLINE
DRAWING OF THE RESPECTIVE
DMC PART NUMBER
INDICATED. ACTUAL DMC
PART NUMBER IS CAD PART
NUMBER WITHOUT
THE "-ENV" SUFFIX