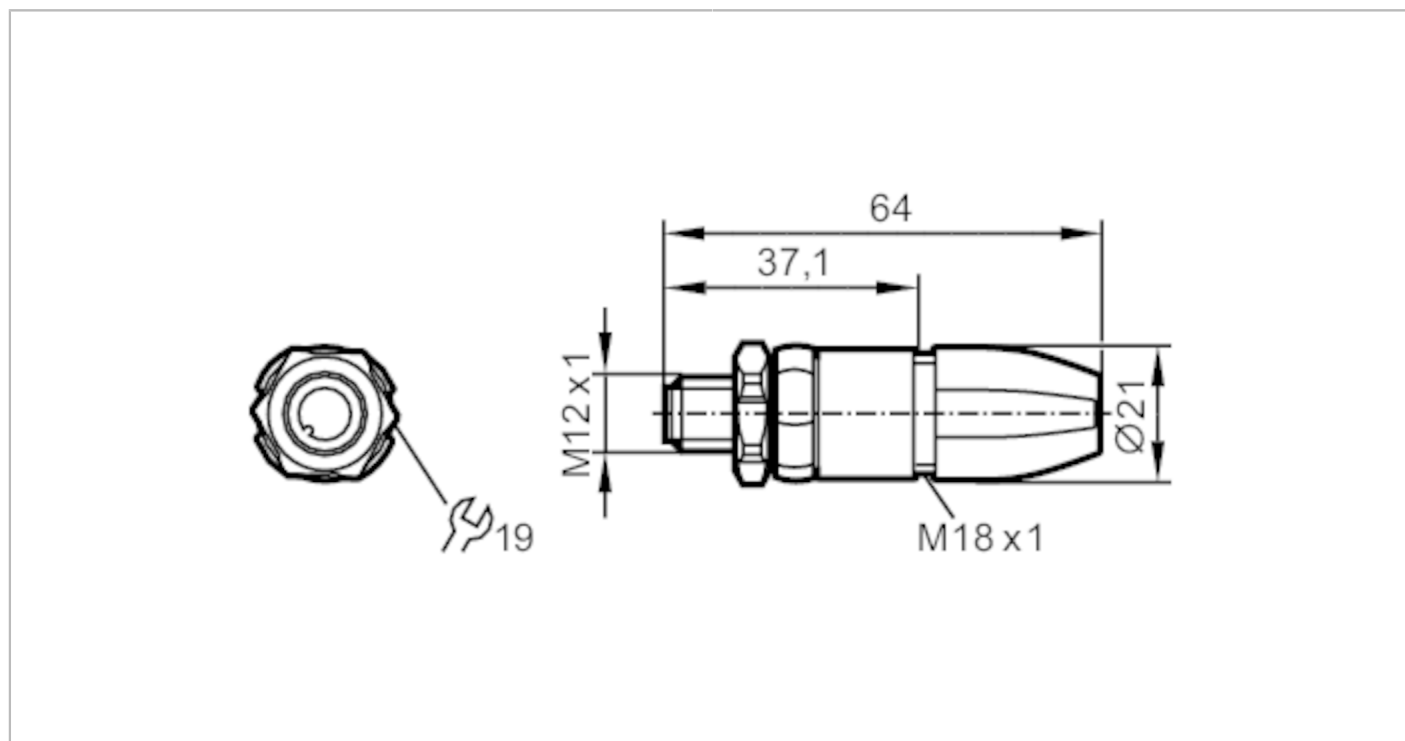


EVC816



Wirable plug

SSTGH050MSSFKPG



Application	
System	Free from silicone; gold-plated contacts
Free from silicone	yes
Electrical data	
Operating voltage [V]	< 60 AC/DC
Protection class	II
Max. current load total [A]	4; (...40 °C)
Operating conditions	
Ambient temperature [°C]	-25...90
Storage temperature [°C]	-25...55
Storage humidity [%]	10...100
Other climatic conditions for storage according to stated class	1K22/ DIN 60721-3-1
Protection	IP 65; IP 67; IP 68; IP 69K
Mechanical data	
Weight [g]	30.5
Molded-body material	PA 6.6
Material nut	brass, nickel-plated
Sealing material	FKM
Remarks	
Pack quantity	1 pcs.

EVC816



Wirable plug

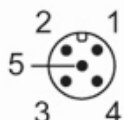
SSTGH050MSSFKPG

Electrical connection

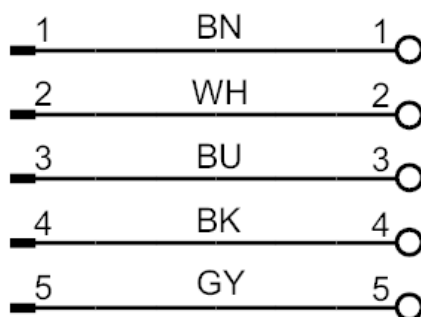
screw terminals: 0.25...1 mm²; Cable sheath: Ø 3.5...6 mm; AWG 23...17

Electrical connection - plug

Connector: 1 x M12, straight; coding: A; Moulded body: PA 6.6, orange; Locking: brass, nickel-plated; sealing: FKM; Contacts: gold-plated; Tightening torque: 0.6...1.2 Nm; Take into account the maximum value of the counterpart!



Connection



	Core colors
BN =	brown
WH =	white
BU =	blue
BK =	black
GY =	grey

Colors to DIN EN 60947-5-2