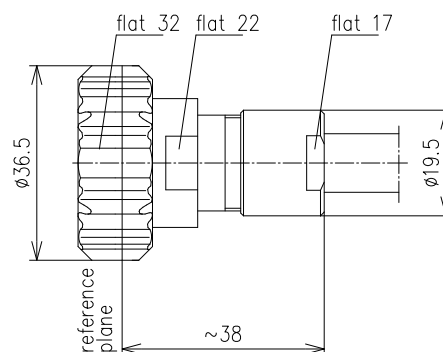


CABLE PLUG FOR RG 214/U, RG 393/U-TYPE 7-16



Part number	BN 95 18 20	
Connector type	7-16 plug	
Version	clamped	
Impedance	50 Ω	
Frequency range	0 - 1 GHz	1 - 2.7 GHz
VSWR	≤ 1.02	≤ 1.04
Material and surface		
Inner conductor	copper alloy	silver-plated
Outer conductor	copper alloy	silver-plated
Other metal parts	copper alloy	bright nickel-plated
Insulation	PTFE	
Sealing	silicone rubber, EPDM	
Degree of protection	IP68 (mated)	
Cable compatibility	RG 214/U, RG 393/U	
Standards	IEC 61169-4	
Installation instructions	M30365	
Weight	approx. 0.1 kg	
Included in delivery	installation instructions	