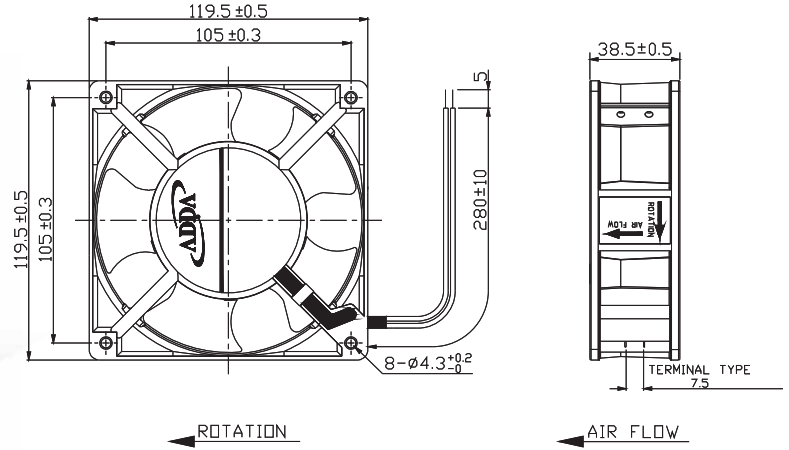




AA12038 CF SERIES

External Dimensions



Frame: Aluminum Alloy
 Impeller: Plastic (UL: 94V-0)
 Motor Structure: Shaded Pole Induction Motor.
 Rotational direction CCW looking at rotor.
 Lead wire: UL 1430 AWG 22
 Wire Type: -AT Terminal / -AW Wires
 OPERATING TEMP*: -10°C ~ 70°C
 *: -10°C ~ 60°C for fans with sleeve/ball combination bearings.

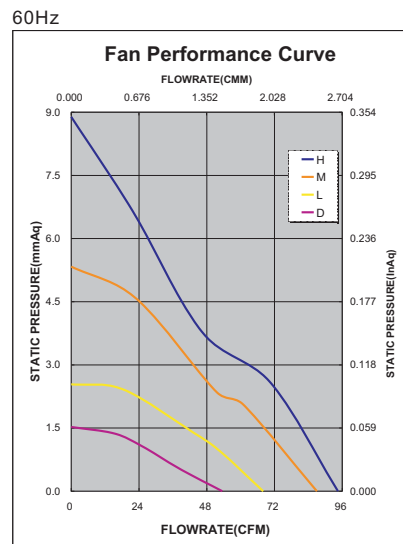
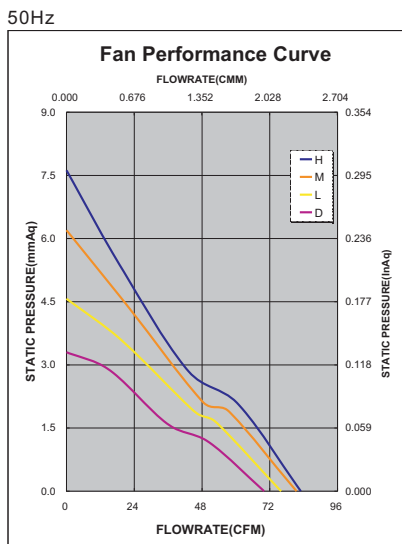
Specifications (Nominal)

Bearing type: ⊙=Ball ⊛=Sleeve ⊙=Hypro bearing

Frame size (mm)	Model No.	Bearing System Type	Volt. (VAC)	Freq. (Hz)	Current (A)	Power (W)	Rated Speed (rpm)	Maximum AirFlow (CMM)	Maximum AirFlow (CFM)	Maximum Pressure (InAq)	Maximum Pressure (mmAq)	*Noise Level (dB/A)	Weight (g)
120x120x38	AA1281DB-AT(CF)	⊙*●	115	50/60	0.08/0.08	7.00/6.60	2300/1700	1.980/1.520	70.0/53.5	0.130/0.060	3.302/1.524	39.2/30.5	550
	AA1282DB-AT(CF)	⊙*●	230	50/60	0.04/0.04	8.10/7.70							
	AA1281LB-AT(CF)	⊙*●	115	50/60	0.12/0.11	9.00/8.70	2400/2200	2.150/2.020	76.0/71.5	0.180/0.100	4.572/2.540	40.1/37.9	
	AA1282LB-AT(CF)	⊙*●	230	50/60	0.06/0.05	9.80/9.40							
	AA1281MB-AT(CF)	⊙*●	115	50/60	0.18/0.15	13.80/12.40	2600/2800	2.310/2.460	81.5/87.0	0.240/0.210	6.196/5.334	41.0/42.0	
	AA1282MB-AT(CF)	⊙*●	230	50/60	0.08/0.07	13.80/12.50							
	AA1281HB-AT(CF)	⊙*●	115	50/60	0.24/0.19	17.00/14.00	2600/2900	2.410/2.750	85.0/97.0	0.310/0.350	7.900/8.870	42.2/44.5	
	AA1282HB-AT(CF)	⊙*●	230	50/60	0.11/0.09	17.10/14.80							

Specifications subject to change without notice.

The specification for bearing type is for reference only, for more bearing types information, please contact with your ADDA sales representative, thanks!! (網頁上呈現產品軸承資訊均以2Ball為主, 若需其他產品資訊請聯絡您在ADDA的業務代表, 謝謝!!)



*Safety approvals

✓	✓		✓	✓

Mouser Electronics

Authorized Distributor

Click to View Pricing, Inventory, Delivery & Lifecycle Information:

[ADDA:](#)

[AA1281LB-AT-LF](#) [AA1281MB-AW\(CF\)](#) [AA1281LB-AW\(CF\)](#)