

# Installation Instructions

## Remote Mounting of LCP

### VLT<sup>®</sup> DriveMotor FCP 106/FCM 106

#### Items Supplied

- LCP cable, IP54
- Gasket
- Screws
- Mounting plate brackets (2)

#### More Items Required

- Local control panel (LCP), ordering number 130B1107.

#### Safety Instructions

For important information about safety precautions for installation, refer to the *VLT<sup>®</sup> DriveMotor FCP 106/FCM 106 Operating Instructions*.

### **⚠ WARNING**

#### DISCHARGE TIME

The frequency converter contains DC-link capacitors, which can remain charged even when the frequency converter is not powered. High voltage can be present even when the warning LED indicator lights are off. Failure to wait the specified time after power has been removed before performing service or repair work can result in death or serious injury.

- Stop the motor.
- Disconnect AC mains and remote DC-link power supplies, including battery back-ups, UPS, and DC-link connections to other frequency converters.
- Disconnect or lock PM motor.
- Wait for the capacitors to discharge fully. The minimum duration of waiting time is specified in *Table 1.1*.
- Before performing any service or repair work, use an appropriate voltage measuring device to make sure that the capacitors are fully discharged.

Voltage [V]	Power range <sup>1)</sup> [kW (hp)]	Minimum waiting time (minutes)
3x400	0.55–7.5 (0.75–10)	4

Table 1.1 Discharge Time

1) Power ratings relate to normal overload (NO), see *VLT<sup>®</sup> DriveMotor FCP 106/FCM 106 Operating Instructions*.

#### Mechanical Installation

1. Fit gasket on LCP, see *Illustration 1.1*.

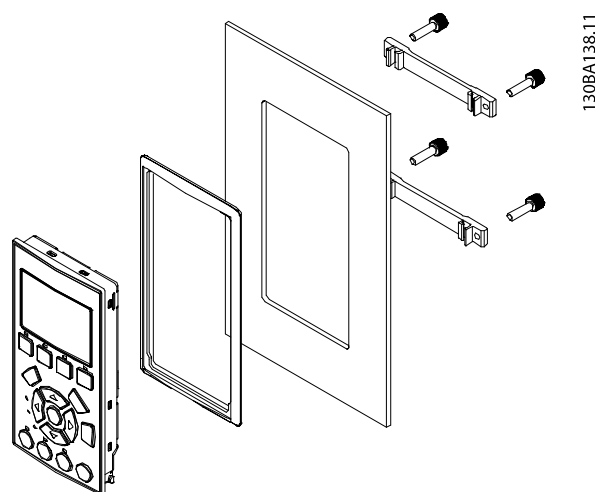
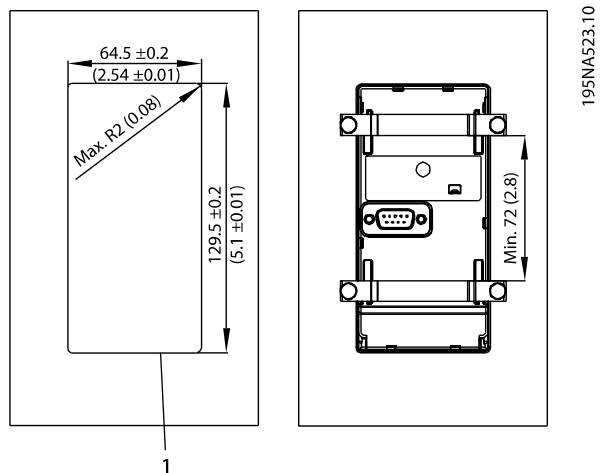


Illustration 1.1 Fit Gasket on LCP

2. Cut out the panel with the dimensions shown in *Illustration 1.2*.
3. Position LCP with gasket onto the panel as shown in *Illustration 1.2*.



1	Panel cut out.
---	----------------

Illustration 1.2 Mounting of LCP on Panel

4. Position bracket on the back of the LCP, then slide down.
5. Fasten bracket to the LCP using the screws supplied. Tightening torque is 1.3 Nm.

## Electrical Installation for FCP 106 and FCM 106

### NOTICE

For FCP 106 and FCM 106, remote mounting of the LCP is intended for set-up and maintenance purposes only, and is not suited for permanent installation. The LCP cable has ingress protection class IP54, and is not UL listed or UL recognized.

1. Connect LCP cable at the panel as shown in *Illustration 1.3*.
2. Connect LCP cable at the frequency converter as shown in *Illustration 1.4*.

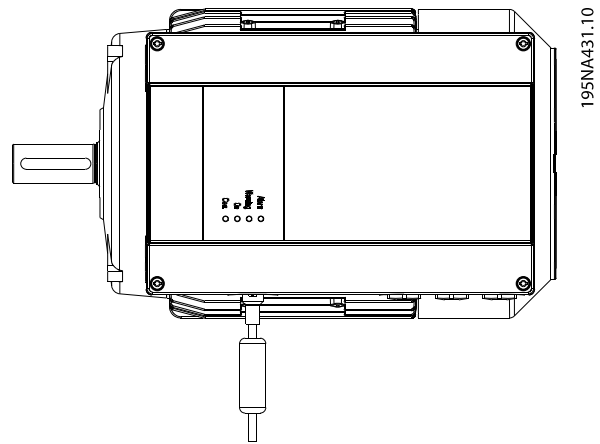
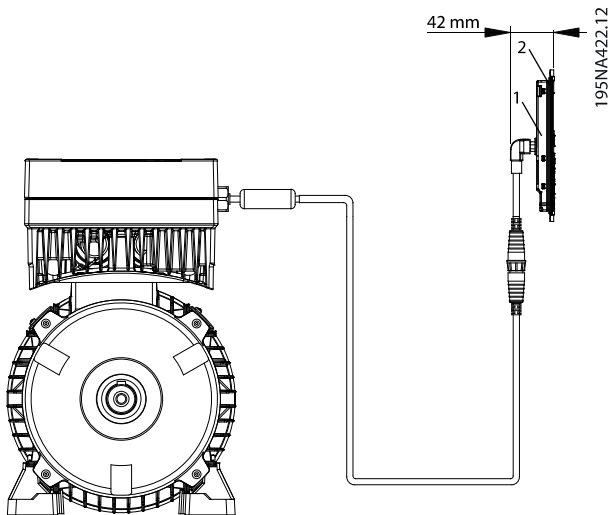


Illustration 1.4 Connection at Frequency Converter



1	LCP
2	Panel door

Illustration 1.3 Connection at Panel

Danfoss can accept no responsibility for possible errors in catalogues, brochures and other printed material. Danfoss reserves the right to alter its products without notice. This also applies to products already on order provided that such alterations can be made without consequential changes being necessary in specifications already agreed. All trademarks in this material are property of the respective companies. Danfoss and the Danfoss logotype are trademarks of Danfoss A/S. All rights reserved.

