



Manual Service Disconnect

High performance. Reliability. Safety. You can count on the new manual service disconnect (MSD) provided by TE Connectivity (TE) for your hybrid and electric vehicle battery pack and power distribution unit application needs. This newly designed MSD meets United States Council for Automotive Research (USCAR) standards.

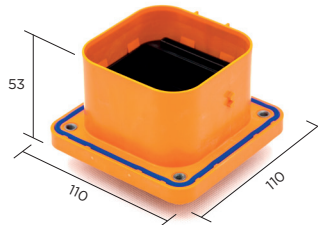
Provided with a fuse and featuring a maximum continuous current rating of 240 amps, the MSD is available in several versions, each rated at different current levels, to meet design specific requirements. The different rated MSD are coded to help prevent operation errors. Voltage for the MSD can reach 800 volts, meeting the requirements of nearly all applications in the industry.

Our high-performance MSD is IP67/IP6K9K rated and designed to withstand the challenges of harsh environments. A high voltage interlock loop (HVIL) is integrated into the MSD to help prevent electrical arcs from occurring during mating and unmating. The MSD's innovative IPx2B design helps prevent fingers from touching the conductor, increasing safety.

Performance parameters:

- Operating temperature: -40-65 °C
- Rated voltage: 800 V
- Rated (Continuous) Current: 240A Maximum
- Fuse Ratings: 200A - 630A (depending on application)
- HVIL design: Yes
- IP Rating: Mated: IP67/IP6K9K
Unmated: IPx2B
- Product specification: 108-101601
- Application specification: 408-101003/408-101004

MSD receptacle part numbers:

Stud dimensions	Fuse Ratings	Part number	Part dimensions(mm)
M8	SHUNT	2315855-7	
	630A	2315855-6	
	500A	2315855-5	
	450A	2315855-4	
	350A	2315855-3	
	250A	2315855-2	
	200A	2315855-1	

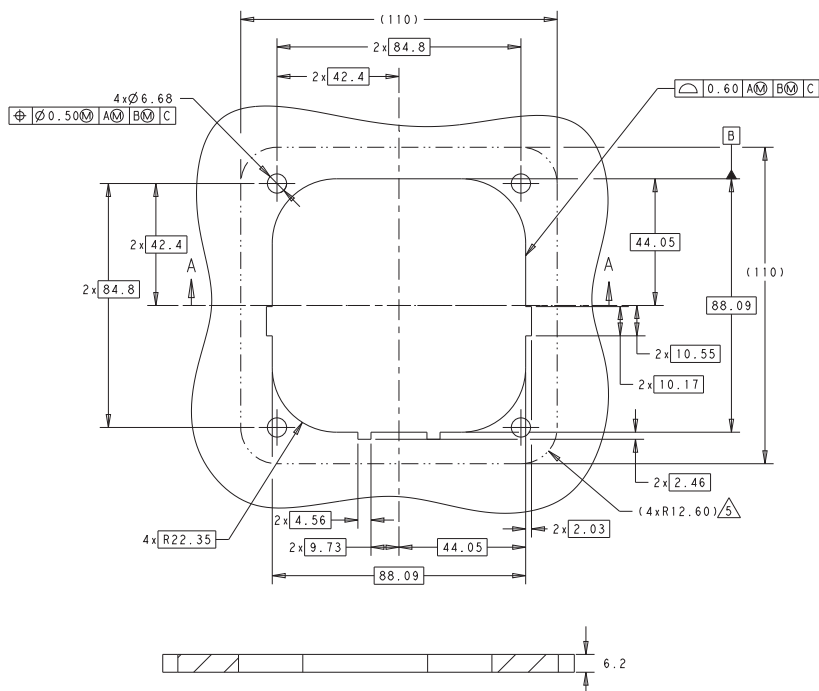
MSD plug part numbers:

Fuse Ratings	Part number	Part dimensions
SHUNT	2315856-7	<p>LEVER at locked position</p> <p>LEVER at unlocked position</p>
630A	2315856-6	
500A	2315856-5	
450A	2315856-4	
350A	2315856-3	
250A	2315856-2	
200A	2315856-1	

HVIL mating connector and receptacle terminal part numbers:

Part name	Part number
MQS 2P plug connector	1-1534113-1
Terminal lock of MQS 2P plug connector	1534112-1
MQS 0.64 plug silver plated terminal (0.2-0.5 mm ²)	928999-6

Receptacle mounting reference:



TE Connectivity (China) hotline for product consultation: 400-820-6015

www.te.com.cn/ict

Contact us: ladd.china@te.com

While TE Connectivity has made every reasonable effort to ensure the accuracy of the information in this text, TE does not guarantee that it is error-free, nor does TE make any other representation, warranty or guarantee that the information is accurate, correct, reliable or currently effective. TE reserves the right to make any adjustments to the information contained herein at any time without notice. TE expressly disclaims all implied warranties regarding the information contained herein, including, but not limited to, any implied warranties of merchantability or fitness for a particular purpose. The dimensions in this text are for reference purposes only and are subject to change without notice. Specifications are subject to change without notice. Consult TE for the latest dimensions and design specifications.

MQS, TE Connectivity, TE connectivity (logo) and TE (logo) are trademarks.

© 2018 TE Connectivity. All Rights Reserved.