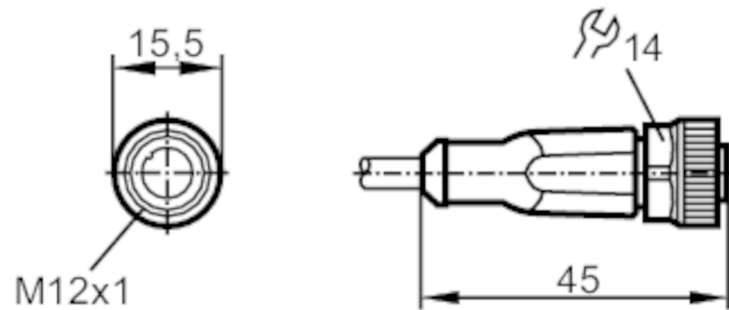




## Connecting cable with socket

ADOGH040MSS0005H04

Please see the technical note under "Downloads"



| Application   |  |
|---|--|
| Special feature   | Free from silicone; Halogen-free; Gold-plated contacts; Drag chain suitability |
| Free from silicone  | yes  |
| Electrical data   |  |
| Operating voltage [V]   | < 250 AC / < 300 DC  |
| Protection class  | II   |
| Max. current load total [A]                                     | 4  |
| Operating conditions  |  |
| Ambient temperature [°C]  | -25...90   |
| Note on ambient temperature                                     | cULus: ...75 °C  |
| Ambient temperature (moving) [°C]                               | -25...90   |
| Note on ambient temperature (moving)                            | cULus: ...75 °C  |
| Storage temperature [°C]  | -25...55   |
| Storage humidity [%]  | 10...100   |
| Other climatic conditions for storage according to stated class | 1K22/ DIN 60721-3-1  |
| Protection  | IP 65; IP 67; IP 68; IP 69K  |
| Mechanical data   |  |
| Weight [g]  | 156.2  |
| Dimensions [mm]   | 15.5 x 15.5 x 45   |

# EVC002



## Connecting cable with socket

ADOGH040MSS0005H04

|                        |                                   |  |
|------------------------|-----------------------------------|--|
| Materials              | housing: TPU orange; Sealing: FKM |  |
| Material nut           | brass, nickel-plated              |  |
| Drag chain suitability | yes                               |  |
| Drag chain suitability | bending radius for flexible use   | min. 10 x cable diameter   |
|                        | travel speed                      | max. 3.3 m/s for a horizontal travel length of 5 m and max. acceleration of 5 m/s <sup>2</sup> |
|                        | bending cycles                    | > 5 Mio.   |
|                        | torsional strain                  | ± 180 °/m  |

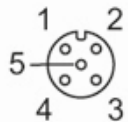
|                |   |
|----------------|---|
| <b>Remarks</b> |   |
| Notes          | Please see the technical note under "Downloads" |
| Pack quantity  | 1 pcs.  |

### Electrical connection

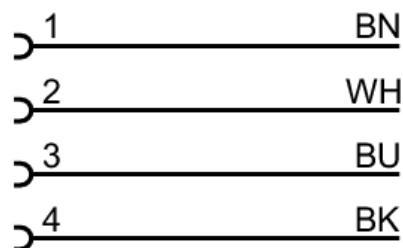
Cable: 5 m, PUR, Halogen-free, black, Ø 4.3 mm; 4 x 0.34 mm<sup>2</sup> (42 x Ø 0.1 mm )

### Electrical connection - socket

Connector: 1 x M12, straight; coding: A; Locking: brass, nickel-plated; Contacts: gold-plated; Tightening torque: 0.6...1.5 Nm



### Connection



Core colours :  
BK = black  
BN = brown  
BU = blue  
WH = white



## Connecting cable with socket

ADOGH040MSS0005H04

### Diagrams and graphs

characteristic line for derating



Derating  $I_{max} * 0.8$  (DIN EN 60512-5-2)

X Ambient temperature [°C]

Y Current [A]