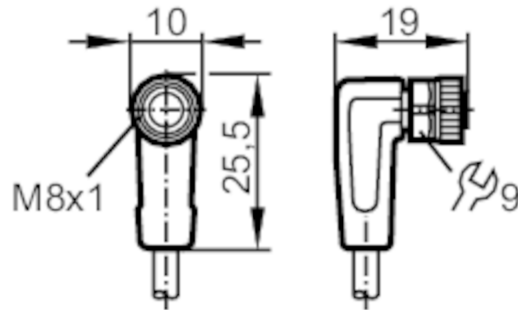


EVC145



Connecting cable with socket

ADOAF030MSS0005H03



Application

| | |
|--------------------|--|
| Special feature | Free from silicone; Halogen-free; Gold-plated contacts; Drag chain suitability |
| Free from silicone | yes |

Electrical data

| | |
|-----------------------------|-------------------|
| Operating voltage [V] | < 50 AC / < 60 DC |
| Protection class | III |
| Max. current load total [A] | 3 |

Operating conditions

| | |
|--------------------------------------|-----------------------------|
| Ambient temperature [°C] | -25...90 |
| Note on ambient temperature | cULus: ...80 |
| Ambient temperature (moving) [°C] | -25...90 |
| Note on ambient temperature (moving) | cULus: ...80 |
| Protection | IP 65; IP 67; IP 68; IP 69K |

Mechanical data

| | |
|------------------------|-----------------------------------|
| Weight [g] | 110.8 |
| Dimensions [mm] | 19 x 10 x 25.5 |
| Materials | housing: TPU orange; Sealing: FKM |
| Material nut | brass, nickel-plated |
| Drag chain suitability | yes |

EVC145



Connecting cable with socket

ADOAF030MSS0005H03

| | | |
|------------------------|---------------------------------|--|
| Drag chain suitability | bending radius for flexible use | min. 10 x cable diameter |
| | travel speed | max. 3.3 m/s for a horizontal travel length of 5 m and max. acceleration of 5 m/s ² |
| | bending cycles | > 5 Mio. |
| | torsional strain | ± 180 °/m |

Remarks

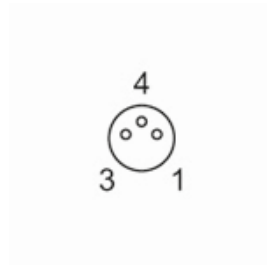
| | |
|---------------|--------|
| Pack quantity | 1 pcs. |
|---------------|--------|

Electrical connection

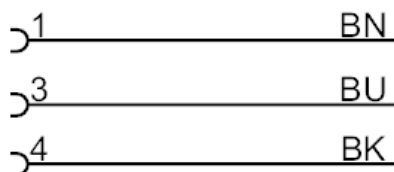
Cable: 5 m, PUR, Halogen-free, black, Ø 3.7 mm; 3 x 0.25 mm² (32 x Ø 0.1 mm)

Electrical connection - socket

Connector: 1 x M8, angled; coding: A; Locking: brass, nickel-plated; Contacts: gold-plated; Tightening torque: 0.3...0.5 Nm



Connection



Core colours :
BK = black
BN = brown
BU = blue