

## N Female to N Female 4 Hole Flange Adapter

Type N female to type N female 4 hole flange adapter part number FMAD1115 from Fairview Microwave is in-stock and ships same day. This Fairview type N to type N adapter has a female to female gender configuration. FMAD1115 type N female to type N female adapter operates to 11 GHz. The Fairview Microwave RF adapter provides good VSWR of 1.35:1 maximum. Our RF type N to type N 4 hole flange adapter allows designers to create external connections on their product enclosures, and can be used in a variety of other rack mount and panel mount applications.

RF adapters can be used to enable connections between two connector types that would otherwise not mate. Certain RF adapter configurations can also be used to protect connectors on expensive equipment where the number of connect and disconnect cycles is high. An RF, microwave, or millimeter wave adapter is connected to the equipment and the commonly changed connection is made with the adapter which can be easily replaced when it wears out after high usage; such adapters are referred to as connector savers. Fairview Microwave also offers bulkhead, panel mount, hermetically sealed, reverse polarity, and isolated ground adapter varieties to serve all of your RF, microwave and millimeter wave needs.

### Electrical Specifications

Description	Min	Typ	Max	Units
Frequency Range	DC		11	GHz
VSWR			1.35:1	
Operating Voltage (AC)			1,000	Vrms
DWV (AC)			2,500	Vrms
Insulation Resistance	5,000			MOhms

Electrical Specification Notes:  
Values at 25°C, sea level.

### Mechanical Specifications

<b>Size</b>	
Length	1.75 in [44.45 mm]
Width	1 in [25.4 mm]
Weight	0.1302 lbs [59.06 g]

Description	Connector 1	Connector 2
Type	N Female	N Female
Polarity	Standard	Standard
Interface Specification	MIL-STD-348	MIL-STD-348
Mating Cycles	500	500



### Configuration:

- N Female Connector 1
- N Female Connector 2
- 50 Ohm
- Straight Body Geometry
- 4 Hole Flange Mount Method

### Features:

- VSWR of 1.35:1 max up to 11 GHz
- Type N interface meets MIL-STD-348
- Contact plating according to ASTM B700
- Silver Plated Beryllium Copper Contact

### Applications:

- General Purpose Test
- Rack Mounted Equipment

Fairview Microwave  
301 Leora Ln., Suite 100  
Lewisville, TX 75056  
Tel: 1-800-715-4396 / (972) 649-6678  
Fax: (972) 649-6689  
[www.fairviewmicrowave.com](http://www.fairviewmicrowave.com)  
[sales@fairviewmicrowave.com](mailto:sales@fairviewmicrowave.com)

### Material Specifications

Description	Connector 1	Connector 2
Type	N Female	N Female
Contact Material	Beryllium Copper	Beryllium Copper
Contact Plating	Silver	Silver
Contact Plating Spec.	ASTM B700	ASTM B700
Insulation Material	PTFE	PTFE
Outer Contact Material	Brass	Brass
Outer Contact Plating	Nickel	Nickel
Outer Contact Plating Spec.	QQ-N-290	QQ-N-290
Body Material	Brass	Brass
Body Plating	Nickel	Nickel
Body Plating Spec.	QQ-N-290	QQ-N-290

### Environmental Specifications

#### Temperature

Operating Range

-65 to +125 deg C

Shock

MIL-STD-202, METH 213 COND I

Vibration

MIL-STD-202, METH 204 COND D

Altitude

MIL-STD-202, METH 105 COND B

### Compliance Certifications (see [product page](#) for current document)

### Plotted and Other Data

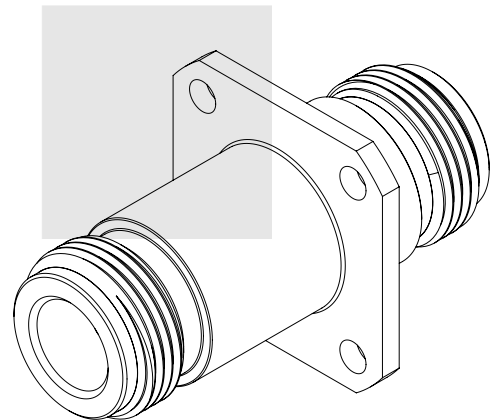
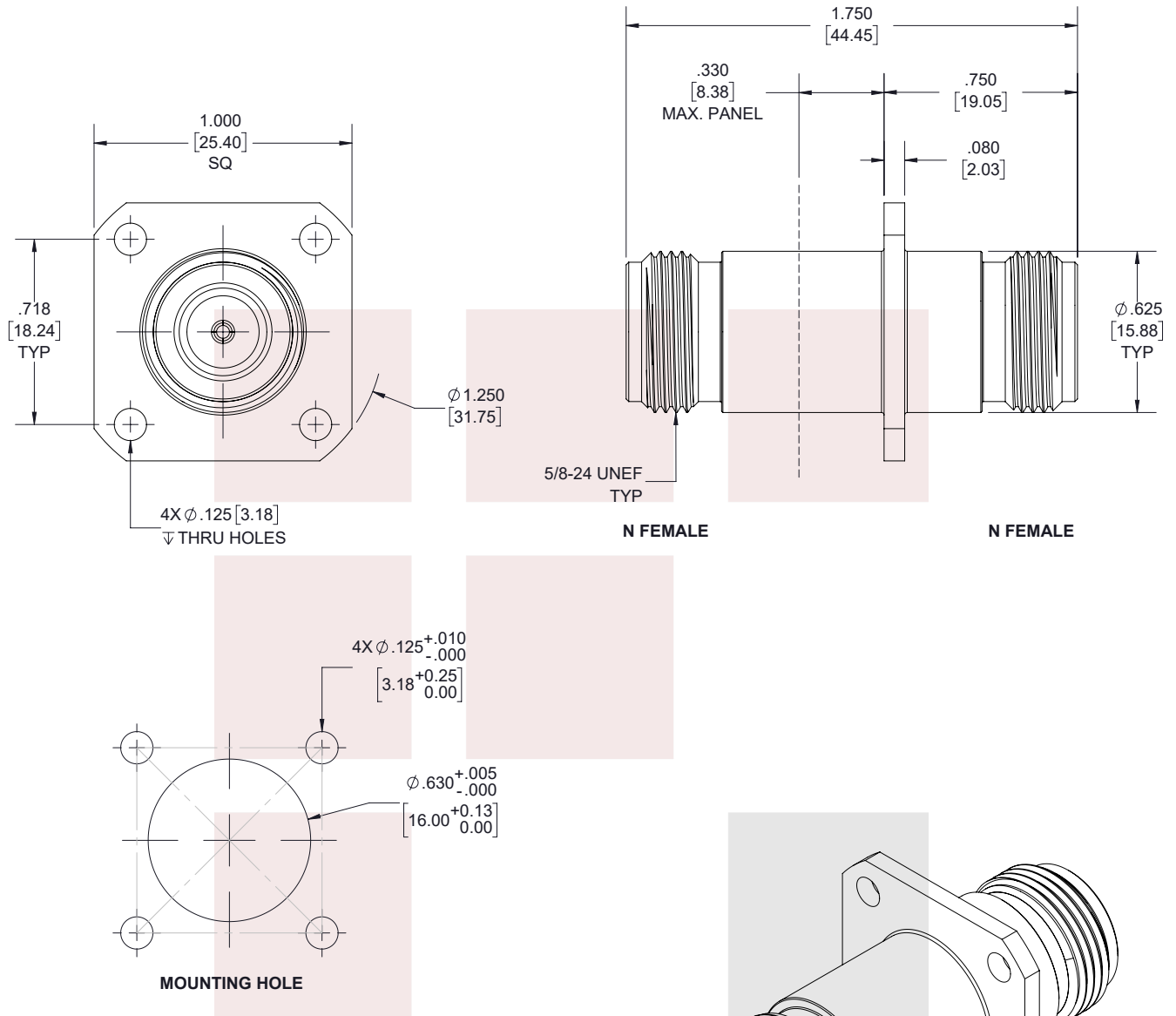
Notes:

N Female to N Female 4 Hole Flange Adapter from Fairview Microwave is in-stock and available to ship same-day. All of our RF/microwave products are available off-the-shelf from our ISO 9001:2008 certified facilities in Allen, Texas. Fairview Microwave is RF on-demand.

For additional information on this product, please click the following link: [N Female to N Female 4 Hole Flange Adapter FMAD1115](#)

URL: <https://www.fairviewmicrowave.com/n-female-n-female-4-hole-flange-adapter-fmad1115-p.aspx>

The information contained in this document is accurate to the best of our knowledge and representative of the part described herein. It may be necessary to make modifications to the part and/or the documentation of the part, in order to implement improvements. Fairview Microwave reserves the right to make such changes as required. Unless otherwise stated, all specifications are nominal. Fairview Microwave does not make any representation or warranty regarding the suitability of the part described herein for any particular purpose, and Fairview Microwave does not assume any liability arising out of the use of any part or documentation.



**STANDARD TOLERANCES**

.X  $\pm$ 0.2  
.XX  $\pm$ 0.01  
.XXX  $\pm$ 0.005

\*STANDARD TOLERANCES APPLY ONLY TO DIMENSIONS IN INCHES

NOTES:  
1. UNLESS OTHERWISE SPECIFIED ALL DIMENSIONS ARE NOMINAL.  
2. ALL SPECIFICATIONS ARE SUBJECT TO CHANGE WITHOUT NOTICE AT ANY TIME.  
3. DIMENSIONS ARE IN INCHES [mm].

TITLE N Female to N Female 4 Hole Flange Adapter	DWG NO FMAD1115		CAGE CODE 3FKR5			
	CAD FILE 05/09/18	SHEET 1 OF 1	SCALE N/A	SIZE A	7361	