

Customer Information Sheet

IF IN DOUBT - ASK

©

NOT TO SCALE

THIRD ANGLE PROJECTION

ALL DIMENSIONS IN mm

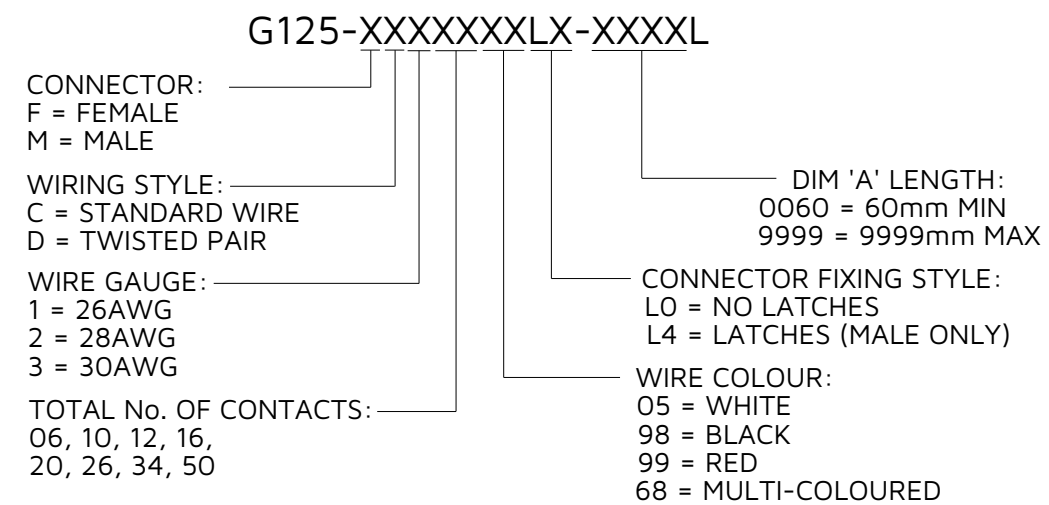
TABLE 1: CONFIGURATIONS & BILL OF MATERIALS

ORDER CODE CONFIGURATIONS										BOM ITEM No.			
										1	2	3	4
G125-XXXXXXXXLX-XXXXL										CONNECTOR 1 (SEE ORDER CODE FOR TOTAL No. OF CONTACTS)	PTFE WIRE (SEE C049XX OR USE PART NUMBERS BELOW)	CONNECTOR 1 CONTACT (SEE ORDER CODE FOR QTY.)	HEATSHRINK
G125	-	FC FD	1 2 3	XX	05 98 99 68	LO L4	-	XXXX	L	G125-204XX96	STANDARD WIRE WHITE/BLACK/RED (SEE C049XX) MULTI-COLOURED (SEE TABLE 2 ON SHEET 7) TWISTED PAIRS 2 TURNS PER INCH: WHITE & RED (SEE C049XX) 3 TURNS PER INCH: WHITE & GREEN (SEE C049XX)	FEMALE SIGNAL 26AWG: G125-0010005 28-30AWG: G125-0020005 MALE SIGNAL 26AWG: G125-1010005 28-30AWG: G125-1020005	FOR TWISTED PAIR CABLE ASSEMBLIES ONLY
		MC MD								G125-304XX96LX			
		MC MD								G125-304XX96LX			

NOTES:

- FOR COMPLETE SPECIFICATION, INCLUDING WIRE TYPE AND GAUGE SEE COMPONENT SPECIFICATIONS C125XX & C049XX (LATEST ISSUES).
- FOR POTTING COMPOUND AND WIRE TYPE SEE C049XX COMPONENT SPECIFICATION.
- SEE SHEET 7 FOR ASSEMBLIES WITH STANDARD WIRING CONFIGURATIONS.
- SEE SHEET 8 FOR ASSEMBLIES WITH TWISTED PAIR WIRING CONFIGURATIONS.
- SEE SHEET 9 FOR HARDWARE FIXING INFORMATION.
- FOR ALL HOUSING DIMENSIONS, SEE RESPECTIVE DRAWINGS FOR BOM ITEM 1.
- CABLE ASSEMBLIES ARE BULK PACKED IN BAGS.
- CUSTOM LENGTH CABLE ASSEMBLIES CAN BE PRODUCED FROM 60mm TO 9999mm.
- FOR TWISTED PAIR CABLE ASSEMBLIES USE '05' (WHITE) WIRE COLOUR IN ORDER CODE.

ORDER CODE:



RTP	1	05.04.23	32231
NAME	ISS.	DATE	CN/CO
APPROVED: A.BOXALL			
CHECKED: M.RUDKIN			
DRAWN: R.PORTLOCK			
ASSEMBLY DRG:			

HARWIN

www.harwin.com

TOLERANCES
X. = ±1mm
X.X = ±0.50mm
X.XX = ±0.20mm
X.XXX = ±0.01mm
ANGLES = ±5°
UNLESS STATED

THIS DRAWING AND ANY INFORMATION OR DESCRIPTIVE MATTER SET OUT HEREON ARE CONFIDENTIAL AND COPYRIGHT PROPERTY OF THE HARWIN GROUP AND MUST NOT BE DISCLOSED, LOANED, COPIED OR USED FOR MANUFACTURING, TENDERING OR FOR ANY OTHER PURPOSE WITHOUT THEIR WRITTEN PERMISSION.

MATERIAL:
SEE ABOVE

TITLE:
**GECKO LATCHED
SINGLE-ENDED CABLE ASSEMBLY**

DRAWING NUMBER:
G125-XXXXXXXXLX-XXXXL

SHT
6 OF
9

Customer Information Sheet

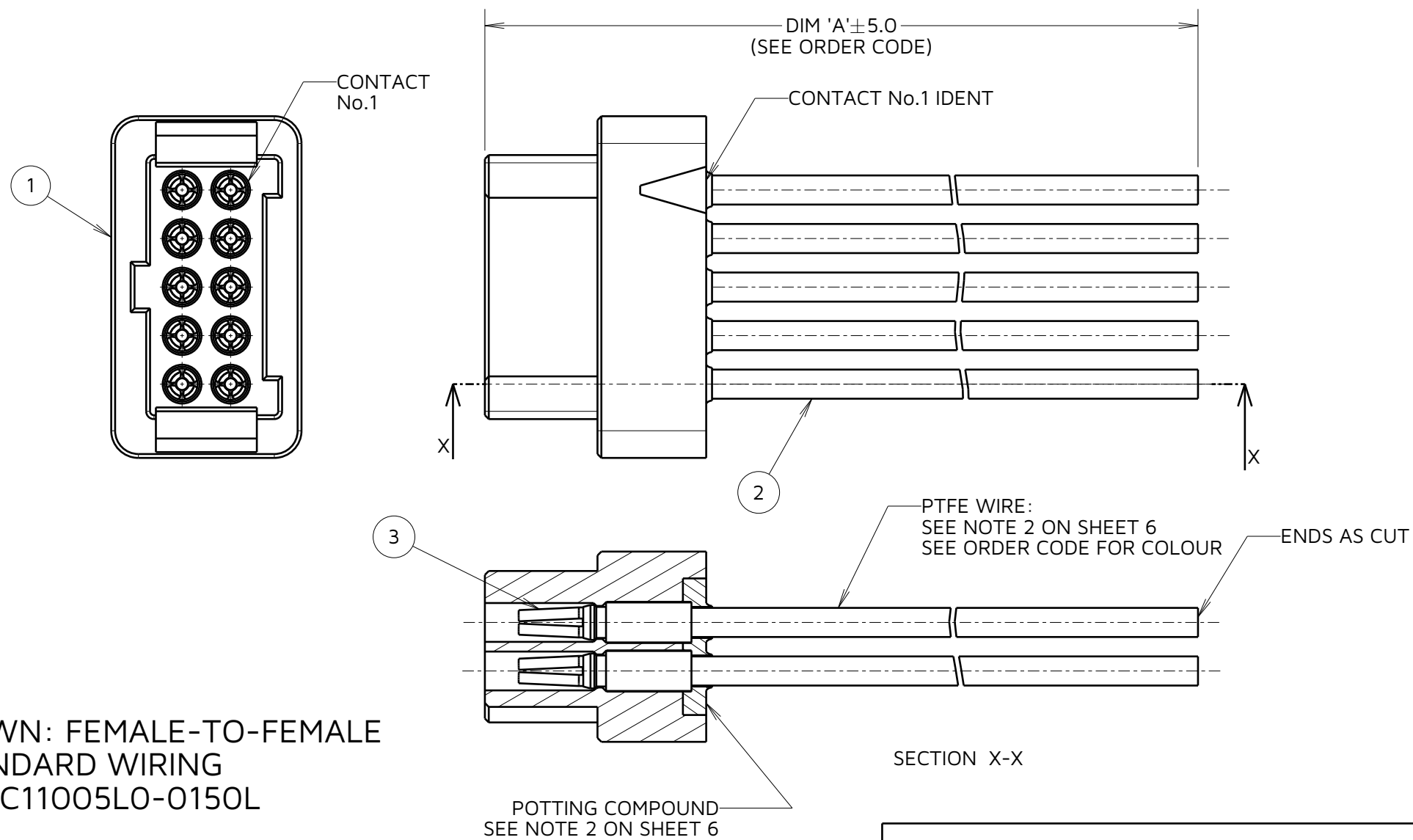
IF IN DOUBT - ASK

©

NOT TO SCALE

THIRD ANGLE PROJECTION

ALL DIMENSIONS IN mm



EXAMPLE SHOWN: FEMALE-TO-FEMALE
STANDARD WIRING
G125-FC11005LO-0150L

CONTACT No.	WIRE COLOUR
1	BLACK
2	BROWN
3	RED
4	ORANGE
5	YELLOW
6	GREEN
7	BLUE
8	VIOLET
9	GREY
10	WHITE

WIRE COLOURS REPEAT IN ABOVE ORDER FOR CONNECTOR ASSEMBLIES OVER 10 CONTACTS.

NOTES:
10. FOR POSSIBLE COMBINATIONS, SEE BOM TABLE ON SHEET 6.
11. ASSEMBLY G125-FC11005LO-0150L SHOWN FOR ILLUSTRATIVE PURPOSES ONLY. SEE ORDER CODE FOR PART NUMBER.

ORDER CODE:

G125-XXXXXXXXLX-XXXXL

CONNECTOR:
F = FEMALE
M = MALE

WIRING STYLE:
C = STANDARD WIRE
D = TWISTED PAIR

WIRE GAUGE:
1 = 26AWG
2 = 28AWG
3 = 30AWG

TOTAL No. OF CONTACTS:
06, 10, 12, 16,
20, 26, 34, 50

DIM 'A' LENGTH:
0060 = 60mm MIN
9999 = 9999mm MAX

CONNECTOR FIXING STYLE:
LO = NO LATCHES
L4 = LATCHES (MALE ONLY)

WIRE COLOUR:
05 = WHITE
98 = BLACK
99 = RED
68 = MULTI-COLOURED (SEE TABLE 2)

RTP	1	05.04.23	32231
NAME	ISS.	DATE	CN/CO
APPROVED: A.BOXALL			
CHECKED: M.RUDKIN			
DRAWN: R.PORTLOCK			
ASSEMBLY DRG:			

 www.harwin.com	TOLERANCES X. = ±1mm X.X = ±0.50mm X.XX = ±0.20mm X.XXX = ±0.01mm ANGLES = ±5° UNLESS STATED	THIS DRAWING AND ANY INFORMATION OR DESCRIPTIVE MATTER SET OUT HEREON ARE CONFIDENTIAL AND COPYRIGHT PROPERTY OF THE HARWIN GROUP AND MUST NOT BE DISCLOSED, LOANED, COPIED OR USED FOR MANUFACTURING, TENDERING OR FOR ANY OTHER PURPOSE WITHOUT THEIR WRITTEN PERMISSION.	MATERIAL: SEE SHEET 6	TITLE: GECKO LATCHED SINGLE-ENDED CABLE ASSEMBLY
				DRAWING NUMBER: G125-XXXXXXXXLX-XXXXL

Customer Information Sheet

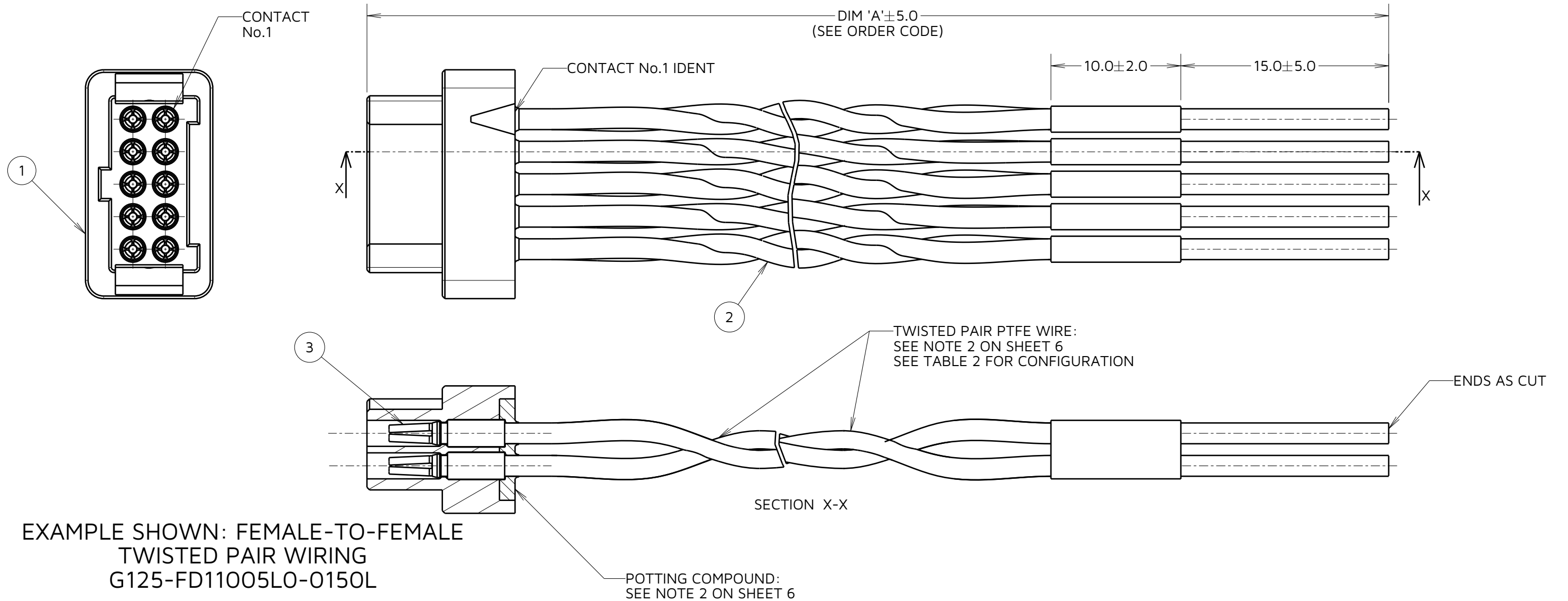
IF IN DOUBT - ASK

©

NOT TO SCALE

THIRD ANGLE PROJECTION

ALL DIMENSIONS IN mm



EXAMPLE SHOWN: FEMALE-TO-FEMALE
TWISTED PAIR WIRING
G125-FD11005LO-0150L

TABLE 3: TWISTED PAIR CABLE CONFIGURATIONS			
WIRING FOR EXAMPLE PART No. G125-FD11005LO-0150L			
TWISTED PAIR No.	CONNECTOR PIN No.	TURNS PER INCH	WIRE COLOUR
1	1	3	WHITE & GREEN
	6		
2	2	2	WHITE & RED
	7		
3	3	3	WHITE & GREEN
	8		
4	4	2	WHITE & RED
	9		
5	5	3	WHITE & GREEN
	10		

FOR CONNECTORS WITH MORE THAN 10 SIGNAL CONTACTS,
CONTINUE TWIST & CABLE PIN OUT CONVENTION IN THE
SAME PATTERN.
(I.E. TWISTED PAIR BETWEEN CONTACT X & CONTACT X)

SEE BILL OF MATERIALS TABLE ON SHEET 6 FOR
TWISTED PAIR PART NUMBERS.

- NOTES:
- FOR POSSIBLE COMBINATIONS, SEE BOM TABLE ON SHEET 6.
 - ASSEMBLY G125-FC11005LO-0150L SHOWN FOR ILLUSTRATIVE PURPOSES ONLY. SEE ORDER CODE FOR PART NUMBER.
 - TWISTED PAIR ASSEMBLIES SUPPLIED WITH HEATSHRINK TO PREVENT PAIRS UNTWISTING.

ORDER CODE:

G125-XXXXXXXXLX-XXXXL

CONNECTOR:
F = FEMALE
M = MALE

WIRING STYLE:
C = STANDARD WIRE
D = TWISTED PAIR

WIRE GAUGE:
1 = 26AWG
2 = 28AWG
3 = 30AWG

TOTAL No. OF CONTACTS:
06, 10, 12, 16,
20, 26, 34, 50

DIM 'A' LENGTH:
0060 = 60mm MIN
9999 = 9999mm MAX

CONNECTOR FIXING STYLE:
L0 = NO LATCHES
L4 = LATCHES (MALE ONLY)

WIRE COLOUR:
05 = WHITE (SEE NOTE 9
ON SHEET 6)

RTP	1	05.04.23	32231
NAME	ISS.	DATE	CN/CO
APPROVED: A.BOXALL			
CHECKED: M.RUDKIN			
DRAWN: R.PORTLOCK			
ASSEMBLY DRG:			

HARWIN

www.harwin.com

TOLERANCES
X. = ±1mm
X.X = ±0.50mm
X.XX = ±0.20mm
X.XXX = ±0.01mm
ANGLES = ±5°
UNLESS STATED

THIS DRAWING AND ANY INFORMATION OR DESCRIPTIVE MATTER SET OUT HEREON ARE CONFIDENTIAL AND COPYRIGHT PROPERTY OF THE HARWIN GROUP AND MUST NOT BE DISCLOSED, LOANED, COPIED OR USED FOR MANUFACTURING, TENDERING OR FOR ANY OTHER PURPOSE WITHOUT THEIR WRITTEN PERMISSION.

MATERIAL:
SEE SHEET 6

TITLE:
**GECKO LATCHED
SINGLE-ENDED CABLE ASSEMBLY**

DRAWING NUMBER:
G125-XXXXXXXXLX-XXXXL

SHT
8
OF
9

Customer Information Sheet

IF IN DOUBT - ASK

©

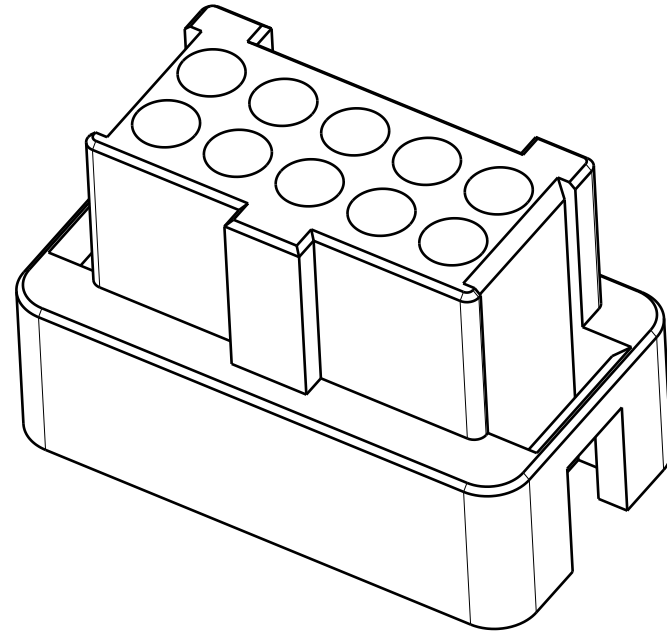
NOT TO SCALE

THIRD ANGLE PROJECTION

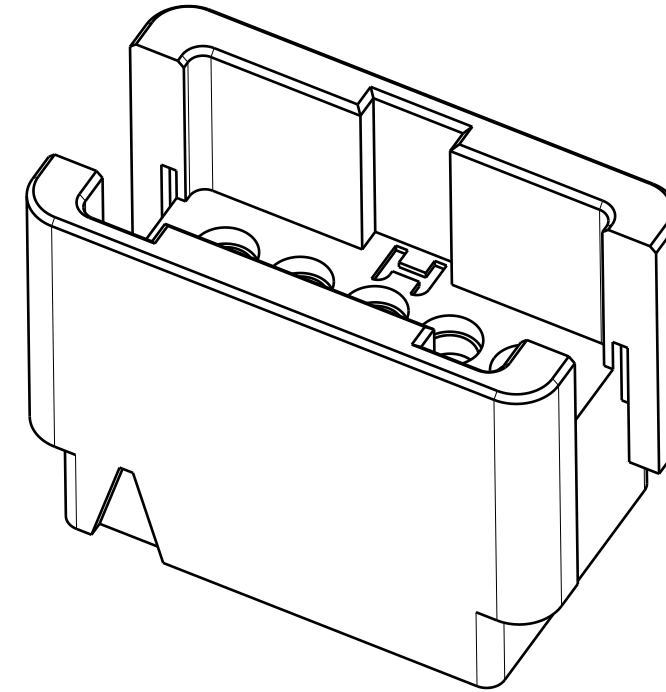
ALL DIMENSIONS IN mm

FIXING STYLES

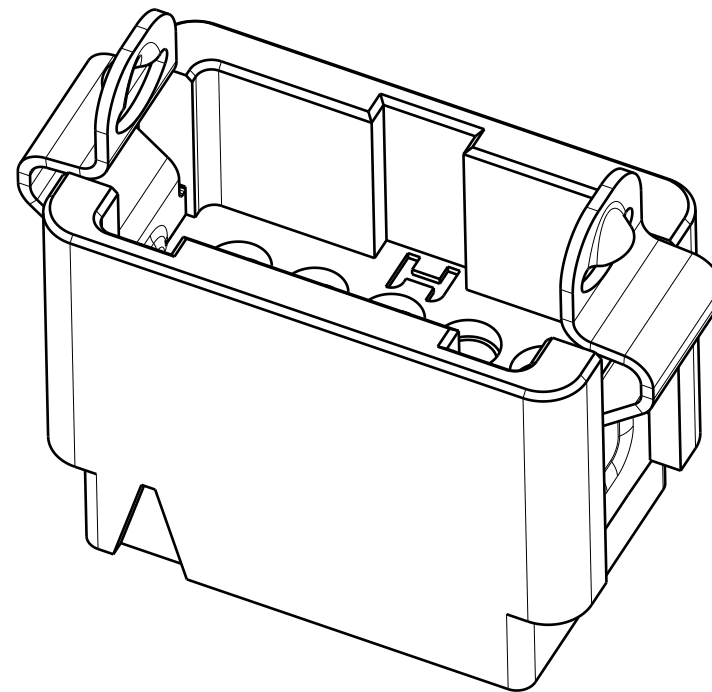
LO - FEMALE
EXAMPLE: G125-2041096



LO - MALE
EXAMPLE: G125-3041096



L4 - MALE ONLY
EXAMPLE: G125-3041096L4



RTP	1	05.04.23	32231
NAME	ISS.	DATE	CN/CO
APPROVED: A.BOXALL			
CHECKED: M.RUDKIN			
DRAWN: R.PORTLOCK			
ASSEMBLY DRG:			

NOTES:
15. SEE BILL OF MATERIALS TABLE ON SHEET 6 AND ORDER CODE FOR FIXING IDENTIFICATION.

HARWIN

www.harwin.com

TOLERANCES
X. = ±1mm
X.X = ±0.50mm
X.XX = ±0.20mm
X.XXX = ±0.01mm
ANGLES = ±5°
UNLESS STATED

THIS DRAWING AND ANY INFORMATION OR DESCRIPTIVE MATTER SET OUT HEREON ARE CONFIDENTIAL AND COPYRIGHT PROPERTY OF THE HARWIN GROUP AND MUST NOT BE DISCLOSED, LOANED, COPIED OR USED FOR MANUFACTURING, TENDERING OR FOR ANY OTHER PURPOSE WITHOUT THEIR WRITTEN PERMISSION.

MATERIAL:

SEE SHEET 6

TITLE:

GECKO LATCHED
SINGLE-ENDED CABLE ASSEMBLY

DRAWING NUMBER:

G125-XXXXXXXXLX-XXXXL

SHT
9
OF
9