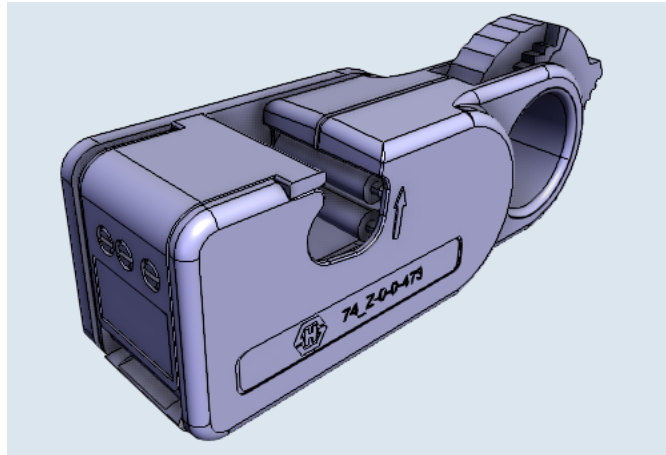


Tools

74_Z-0-0-473

74_Z-0-0-473

Properties**Ordering information**

Item number	Item description
84079184	74_Z-0-0-473

HUBER+SUHNER is certified by ISO 9001, ISO 14001, ISO 45001, IATF 16949, AS/EN 9100 and ISO/TS 22163-IRIS. Waiver: Facts and figures herein are for information only and do not represent any warranty of any kind.
DOCUMENT PIM-P31286 / Date of publication: 21.06.2024 / uncontrolled copy