

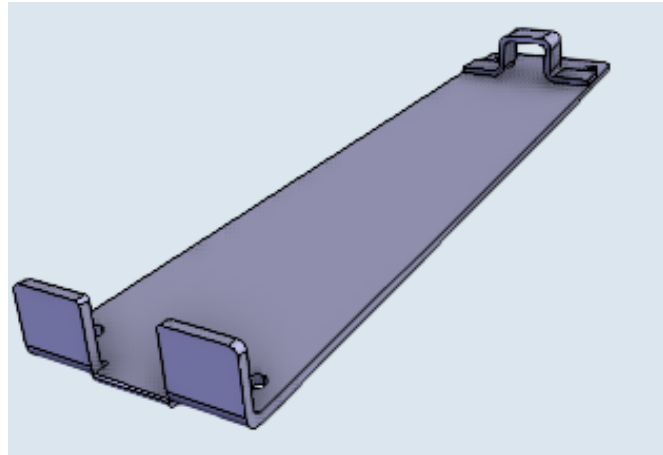
## Tools

**Support plate for bench mounting of large crimp tool**

76\_Z-0-0-3

**Properties**

- Broad selection of RF connector tools
- Easy to work with
- Simplified and quick installation
- High availability of products



General data	
Technology	Radio Frequency
Intended use	Crimping
Type of tool	Support
Used for product group	Connectors
Used for	Cable connectors
Used with	76_Z-0-0-1 Cutting insert

Material	
Construction part	Material
Body	Aluminium

Additional Information
Support plate for bench mounting of large crimp tool

Ordering information	
Item number	Item description
22543173	76_Z-0-0-3

HUBER+SUHNER is certified by ISO 9001, ISO 14001, ISO 45001, IATF 16949, AS/EN 9100 and ISO/TS 22163-IRIS. Waiver: Facts and figures herein are for information only and do not represent any warranty of any kind.  
DOCUMENT PIM-P1418 / Date of publication: 05.06.2024 / uncontrolled copy