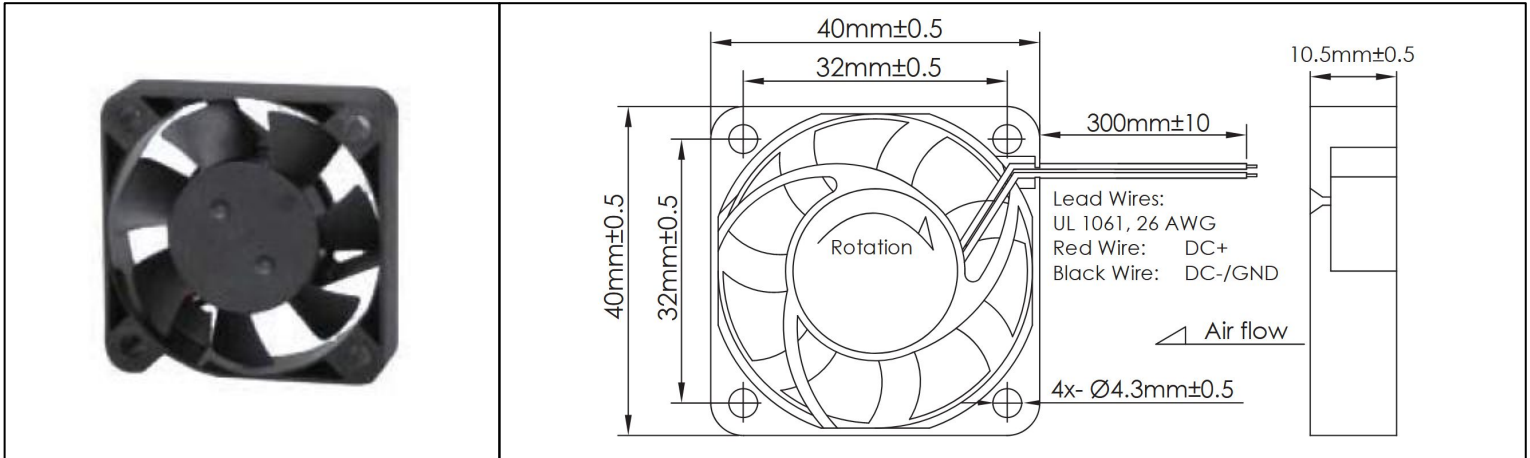


OD4010 Series



DC Fan - 5V, 12V, 24V
40 x 40 x 10.5mm (1.6" x 0.4")



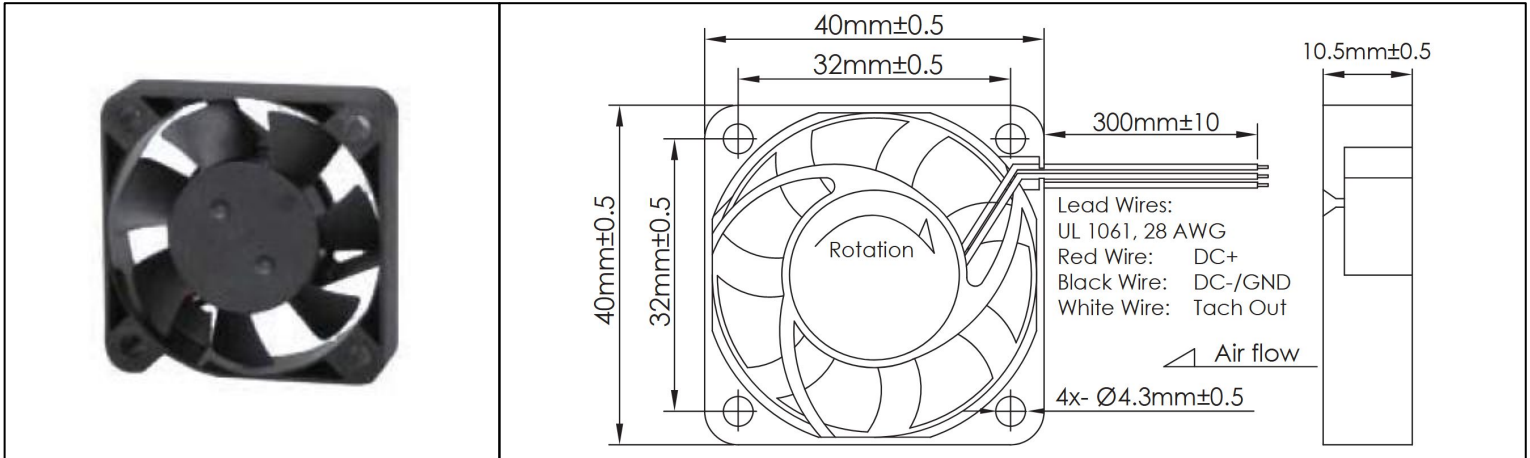
Frame	PBT, UL94 V-0 plastic	Operating Temperature -20°C ~ +65°C Storage Temperature -20°C ~ +75°C Life Expectancy 60,000 hours (L10 at 45°C) Available Options Tachometer Output Alarm Output PWM Speed Control Input IP Ratings Sealed Sleeve Bearings Weight: 0.044 lbs	
Impeller	PBT, UL94 V-0 plastic		
Connection	2x Lead wires, 26 AWG		
Motor	Brushless DC, Auto Restart, Auto Cutoff, Polarity Protected, Electronically Protected		
Bearing System	Dual Ball Bearings		
Dielectric Strength	500VAC/min, < 1mA		
Insulation Resistance	≥10MΩ @ 500 VDC		

Part Number	Rated Voltage (V DC)	Voltage Range (V DC)	Input Power (Watts)	Rated Current (Amps)	Rated Speed (RPM)	Airflow (CFM)	Noise Level (dB)	Max. Static Pressure
OD4010-05HHB	5 VDC	4 ~ 5.5	0.5	0.1	10000	12	38.2	0.34" H ₂ O
OD4010-05HB	5 VDC	4 ~ 5.5	0.5	0.1	8000	9.2	33.4	0.20" H ₂ O
OD4010-05MB	5 VDC	4 ~ 5.5	0.36	0.07	6000	7.2	26.3	0.12" H ₂ O
OD4010-05LB	5 VDC	4 ~ 5.5	0.30	0.06	4000	4.7	20.1	0.07" H ₂ O
OD4010-12HHB	12 VDC	10.8 ~ 13.2	0.72	0.07	10000	12	38.2	0.34" H ₂ O
OD4010-12HB	12 VDC	10.8 ~ 13.2	0.72	0.07	8000	9.2	33.4	0.20" H ₂ O
OD4010-12MB	12 VDC	10.8 ~ 13.2	0.6	0.05	6000	7.2	26.3	0.12" H ₂ O
OD4010-12LB	12 VDC	10.8 ~ 13.2	0.50	0.04	4000	4.7	20.1	0.07" H ₂ O
OD4010-24HHB	24 VDC	21.6 ~ 26.4	1.45	0.06	10000	12	38.2	0.34" H ₂ O
OD4010-24HB	24 VDC	21.6 ~ 26.4	1.45	0.06	8000	9.2	33.4	0.20" H ₂ O
OD4010-24MB	24 VDC	21.6 ~ 26.4	1.2	0.05	6000	7.2	26.3	0.12" H ₂ O
OD4010-24LB	24 VDC	21.6 ~ 26.4	0.73	0.03	4000	4.7	20.1	0.07" H ₂ O

OD4010 Series with Tach

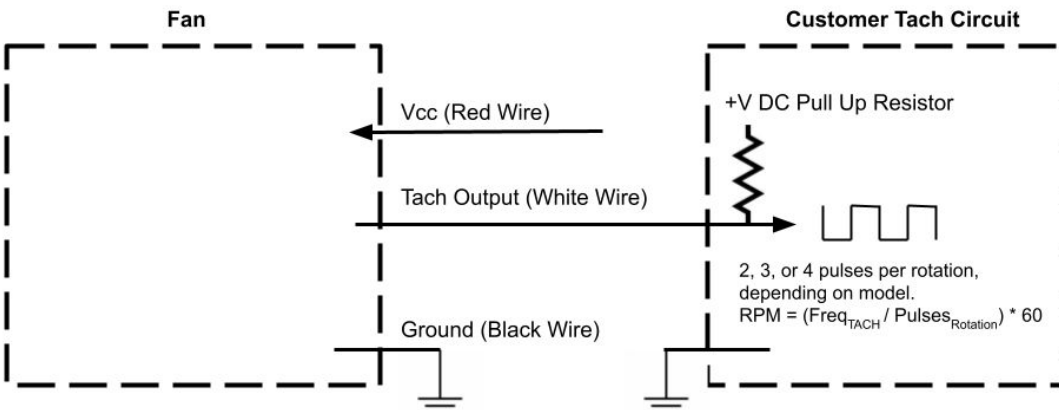


DC Fan - 12V, 24V
40 x 40 x 10.5mm (1.6" x 0.4")



Frame	PBT, UL94 V-0 plastic	Operating Temperature -20°C ~ +65°C Storage Temperature -20°C ~ +75°C Life Expectancy 60,000 hours (L10 at 45°C) Installed Options Open Collector Tach Output Weight: 0.044 lbs	
Impeller	PBT, UL94 V-0 plastic		
Connection	3x Lead wires, 28 AWG		
Motor	Brushless DC, Auto Restart, Auto Cutoff, Polarity Protected, Electronically Protected		
Bearing System	Dual Ball Bearings		
Dielectric Strength	500VAC/min, < 1mA		
Insulation Resistance	≥10MΩ @ 500 VDC		

Part Number	Rated Voltage (V DC)	Voltage Range (V DC)	Input Power (Watts)	Rated Current (Amps)	Rated Speed (RPM)	Airflow (CFM)	Noise Level (dB)	Max. Static Pressure
OD4010-12HB01A	12 VDC	10.8 ~ 13.2	0.72	0.07	8000	9.2	33.4	0.20" H ₂ O
OD4010-24HB01A	24 VDC	21.6 ~ 26.4	1.4	0.06	8000	9.2	33.4	0.20" H ₂ O



Tach Max Pullup Voltage: Fan +Vcc
Tach Max Sink Current: 5mA
Tach Pulses per rotation: 2