



Crimp Tool With 0.610 Hex Sizes For PE-C600

TECHNICAL DATA SHEET

PE5013

Crimp Tool With 0.610 Hex Sizes For PE-C600

Configuration

Tool Type	Crimp Tool
Hex Size,	0.610
Cable Type	PE-C600

Mechanical Specifications

Size	
Length, in [mm]	8.9 [226.06]
Handle Color	Red

Compliance Certifications (visit www.Pasternack.com for current document)

RoHS Compliant	Yes
----------------	-----

Plotted and Other Data

Notes:	Values at 25 °C, sea level
--------	----------------------------

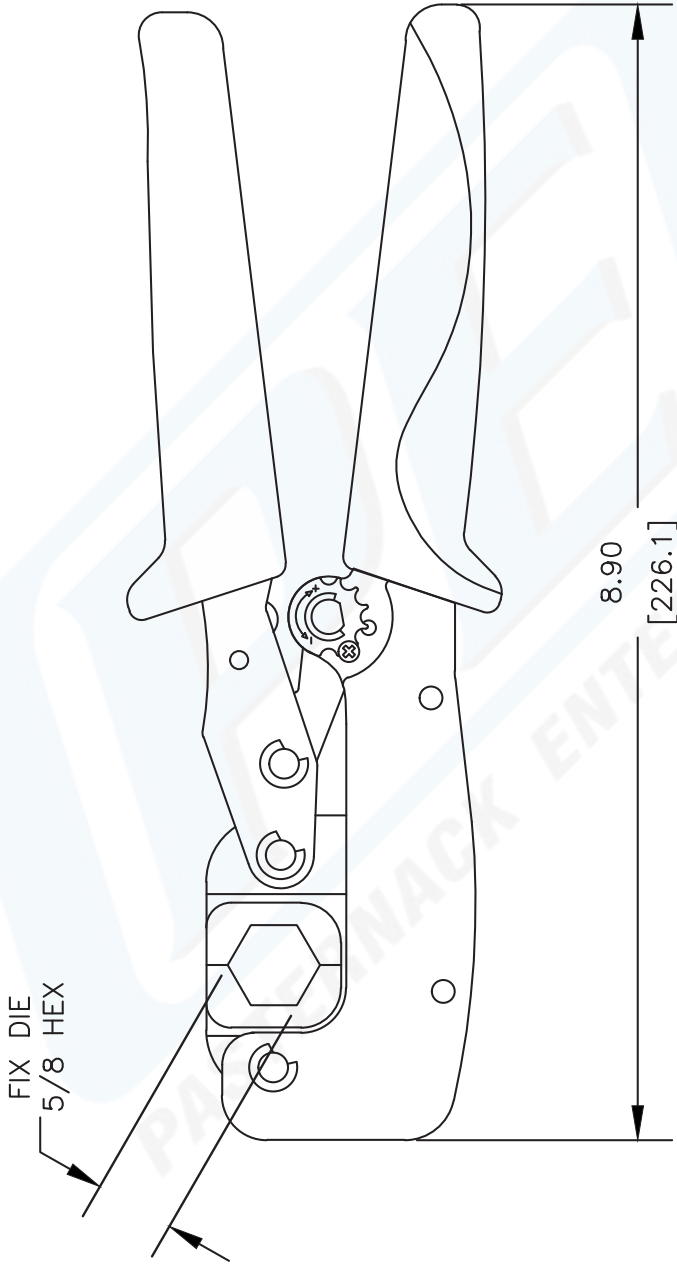
Crimp Tool With 0.610 Hex Sizes For PE-C600 from Pasternack Enterprises has same day shipment for domestic and International orders. Our RF, microwave and fiber optic products maintain a 99% availability and are part of the broadest selection in the industry.

Click the following link (or enter part number in "SEARCH" on website) to obtain additional part information including price, inventory and certifications: [Crimp Tool With 0.610 Hex Sizes For PE-C600 PE5013](#)

URL: <http://www.pasternack.com/crimp-tool-0.610-hex-bit-pe-c600-pe5013-p.aspx>

The information contained in this document is accurate to the best of our knowledge and representative of the part described herein. It may be necessary to make modifications to the part and/or the documentation of the part, in order to implement improvements. Pasternack reserves the right to make such changes as required. Unless otherwise stated, all specifications are nominal.

PE5013 CAD Drawing
Crimp Tool With 0.610 Hex Sizes For PE-C600



NOTES:
 1. UNLESS OTHERWISE SPECIFIED ALL DIMENSIONS ARE NOMINAL.
 2. ALL SPECIFICATIONS ARE SUBJECT TO CHANGE WITHOUT NOTICE AT ANY TIME.
 3. DIMENSIONS ARE IN INCHES [mm].

DWG TITLE	
PE5013	
FSCM NO. 53919	CAD FILE 050609
SCALE N/A	SIZE A
XXXX	

PE PASTERNAK®
 Pasternack Enterprises, Inc.
 P.O. Box 16759 | Irvine | CA | 92623
Phone: (949) 261-1920 | **Fax:** (949) 261-7451
Website: www.pasternack.com | **E-Mail:** sales@pasternack.com