



## N Female to TNC Female Adapter

### RF Adapters Technical Data Sheet

PE9131

#### Configuration

- N Female Connector 1
- TNC Female Connector 2
- 50 Ohm
- Straight Body Geometry

#### Features

- Max VSWR of 1.5:1 up to 3 GHz
- Type N interface compliant with MIL-STD-348A
- TNC interface compliant with MIL-STD-348A
- 30 µin minimum contact plating
- Gold Plated Brass Contact

#### Applications

- Allows Connection Between Series
- General Purpose Test

#### Description

Pasternack's PE9131 type N female to TNC female adapter is part of our full line of RF components available for same-day shipping. Our type N to TNC adapter has a female to female gender configuration. PE9131 type N female to TNC female adapter operates to 3 GHz. The Pasternack RF adapter provides good VSWR of 1.5:1 maximum.

RF adapters are often used to enable connections between two connector types that would otherwise not mate. Certain adapter configurations can also be used to protect connectors on expensive equipment where the number of connect/disconnect cycles is high. An RF, microwave or millimeter wave adapter is connected to the equipment, and the commonly changed connection is made with the adapter which can be easily replaced when it wears out after high usage; such adapters are referred to as connector savers. Pasternack also offers bulkhead, panel mount, hermetically sealed, reverse polarity, and isolated ground adapter varieties to serve all of your RF, microwave and millimeter wave needs.

#### Electrical Specifications

| Description            | Minimum | Typical | Maximum | Units |
|------------------------|---------|---------|---------|-------|
| Frequency Range        | DC      |         | 3       | GHz   |
| VSWR                   |         |         | 1.5:1   |       |
| Operating Voltage (AC) |         |         | 500     | Vrms  |

#### Mechanical Specifications

| Size   |                     |
|--------|---------------------|
| Length | 1.102 in [27.99 mm] |
| Width  | 0.625 in [15.88 mm] |
| Weight | 0.051 lbs [23.13 g] |

Click the following link (or enter part number in "SEARCH" on website) to obtain additional part information including price, inventory and certifications: [N Female to TNC Female Adapter PE9131](#)



## N Female to TNC Female Adapter

### RF Adapters Technical Data Sheet

PE9131

| Description             | Connector 1  | Connector 2  |
|-------------------------|--------------|--------------|
| Type                    | N Female     | TNC Female   |
| Polarity                | Standard     | Standard     |
| Interface Specification | MIL-STD-348A | MIL-STD-348A |
| Mating Cycles           | 500          | 500          |

#### Material Specifications

| Description     | Connector 1 |                           | Connector 2 |                           |
|-----------------|-------------|---------------------------|-------------|---------------------------|
|                 | Material    | Plating                   | Material    | Plating                   |
| Type            | N Female    |                           | TNC Female  |                           |
| Contact         | Brass       | Gold<br>30 µin minimum    | Brass       | Gold<br>30 µin minimum    |
| Insulation      | PTFE        |                           | PTFE        |                           |
| Outer Conductor | Brass       | Nickel<br>100 µin minimum | Brass       | Nickel<br>100 µin minimum |

#### Environmental Specifications

##### Temperature

Operating Range -65 to +165 deg C

Vibration

MIL-STD-202, Method 204, Condition D

Salt Spray

MIL-STD-202, Method 101, Condition B

**Compliance Certifications** (see [product page](#) for current document)

#### Plotted and Other Data

Notes:

Click the following link (or enter part number in "SEARCH" on website) to obtain additional part information including price, inventory and certifications: [N Female to TNC Female Adapter PE9131](#)

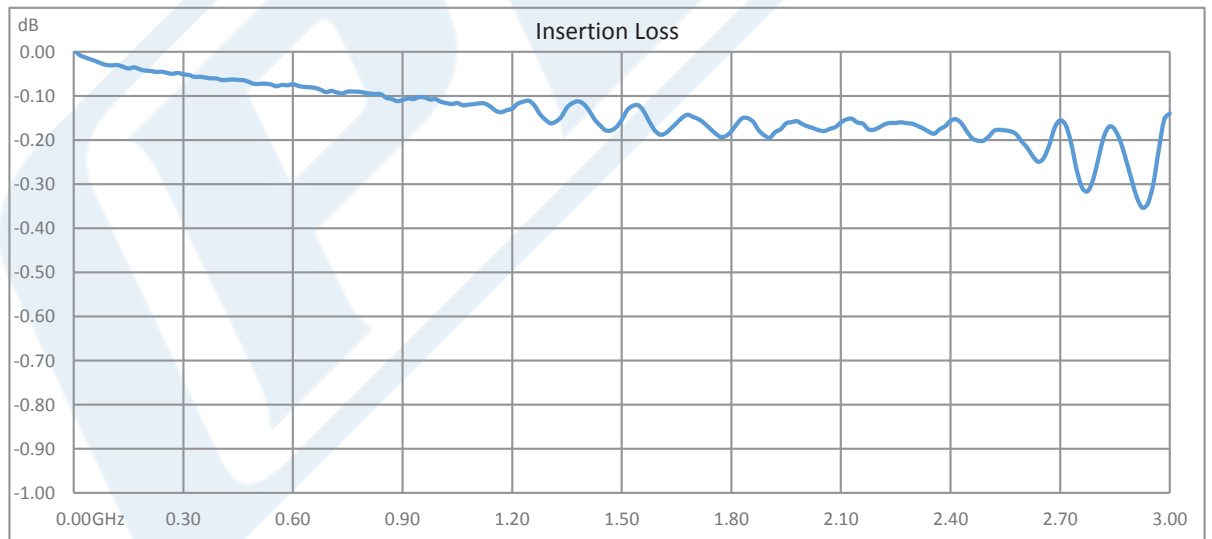
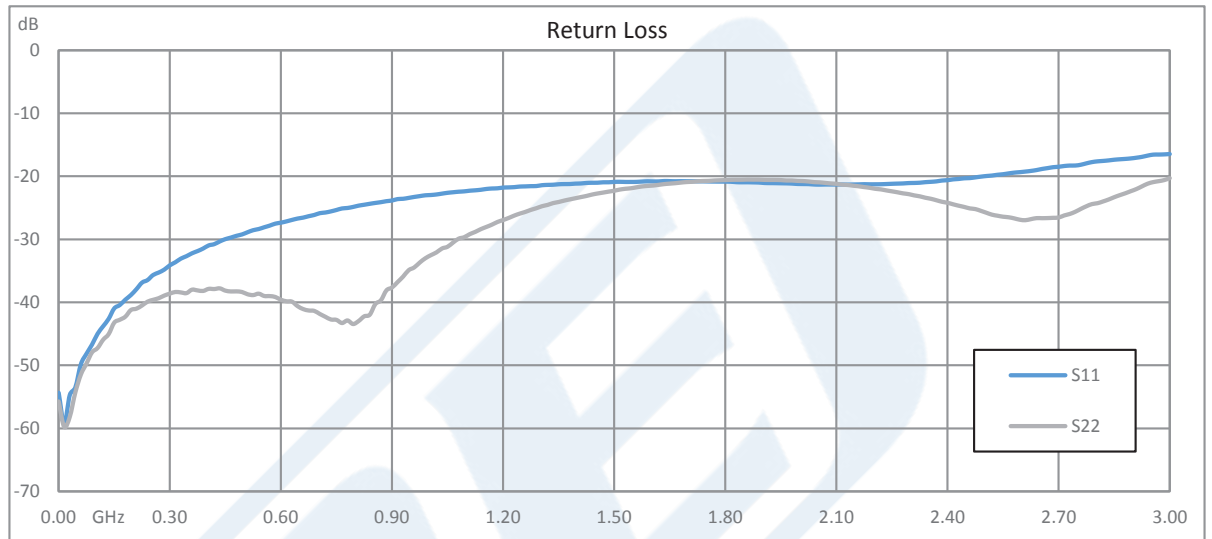


N Female to TNC Female Adapter

RF Adapters Technical Data Sheet

PE9131

Typical Performance Data



Click the following link (or enter part number in "SEARCH" on website) to obtain additional part information including price, inventory and certifications: [N Female to TNC Female Adapter PE9131](#)



## N Female to TNC Female Adapter

### RF Adapters Technical Data Sheet

PE9131

N Female to TNC Female Adapter from Pasternack Enterprises has same day shipment for domestic and International orders. Our RF, microwave and millimeter wave products maintain a 99.4% availability and are part of the broadest selection in the industry.

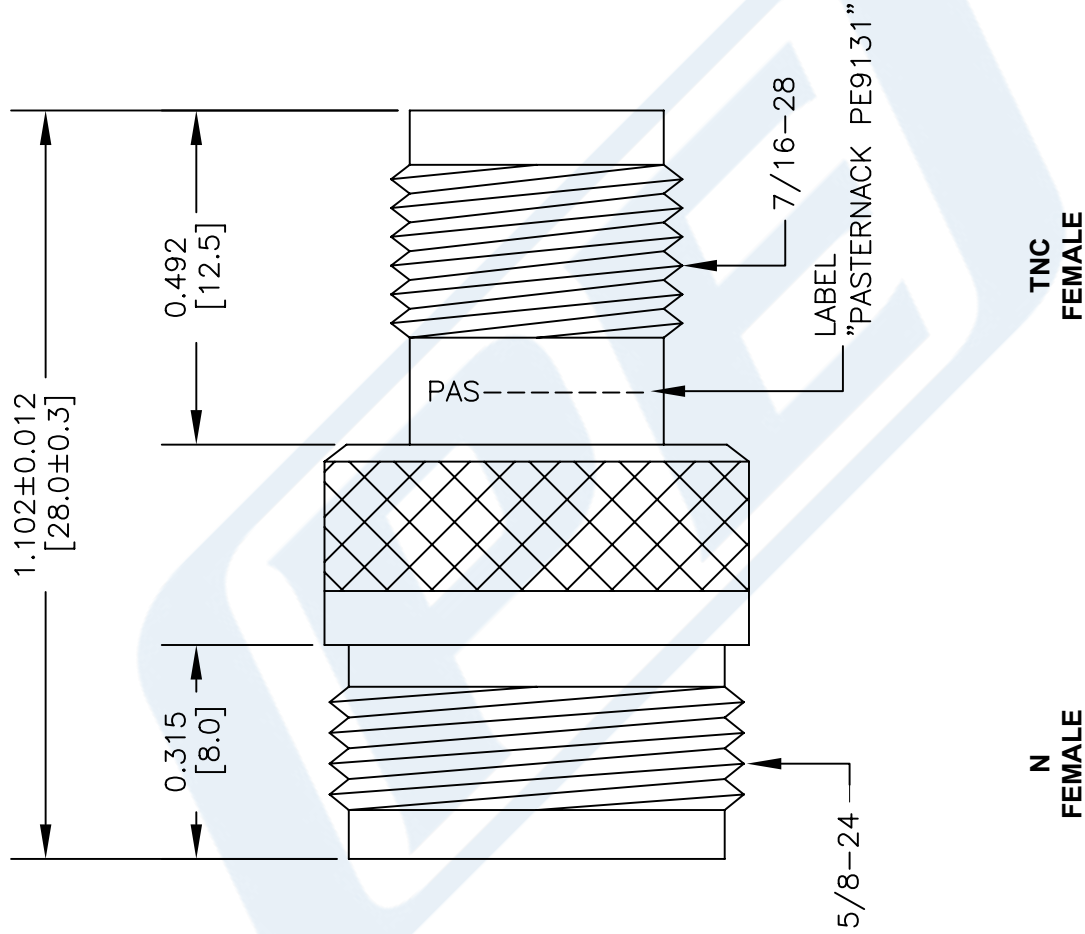
Click the following link (or enter part number in "SEARCH" on website) to obtain additional part information including price, inventory and certifications: [N Female to TNC Female Adapter PE9131](#)

URL: <https://www.pasternack.com/n-female-tnc-female-straight-adapter-pe9131-p.aspx>

The information contained in this document is accurate to the best of our knowledge and representative of the part described herein. It may be necessary to make modifications to the part and/or the documentation of the part, in order to implement improvements. Pasternack reserves the right to make such changes as required. Unless otherwise stated, all specifications are nominal. Pasternack does not make any representation or warranty regarding the suitability of the part described herein for any particular purpose, and Pasternack does not assume any liability arising out of the use of any part or documentation.

# PE9131 CAD Drawing

## N Female to TNC Female Adapter



### STANDARD TOLERANCES

.X ±0.2  
.XX ±0.1  
.XXX ±0.05

\*STANDARD TOLERANCES APPLY ONLY TO DIMENSIONS IN INCHES

DWG TITLE

**PE9131**

NOTES:  
1. UNLESS OTHERWISE SPECIFIED ALL DIMENSIONS ARE NOMINAL.  
2. ALL SPECIFICATIONS ARE SUBJECT TO CHANGE WITHOUT NOTICE AT ANY TIME.  
3. DIMENSIONS ARE IN INCHES [mm].

**PE PASTERNAK®**  
THE ENGINEER'S RF SOURCE  
Pasternack Enterprises, Inc.  
P.O. Box 16759 | Irvine | CA | 92623  
Phone: (949) 261-1920 | Fax: (949) 261-7451  
Website: www.pasternack.com | E-Mail: sales@pasternack.com

FSCM NO. 53919

CAD FILE 052016

SCALE N/A

SIZE A

3045