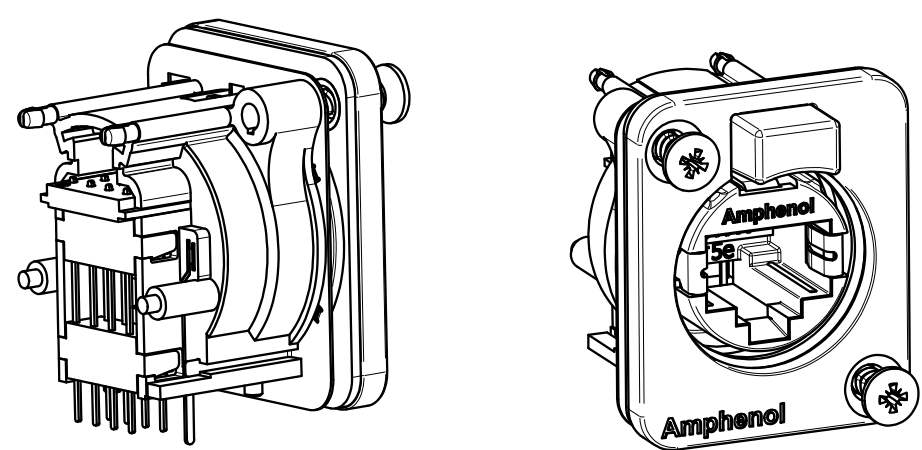


PCB LAYOUT
 (CONNECTOR TOP VIEW)
 ○ RJ45 SHELL GROUND CONTACT
 ⊕ CONNECTOR LOCATION PINS



3D VIEW
3:2

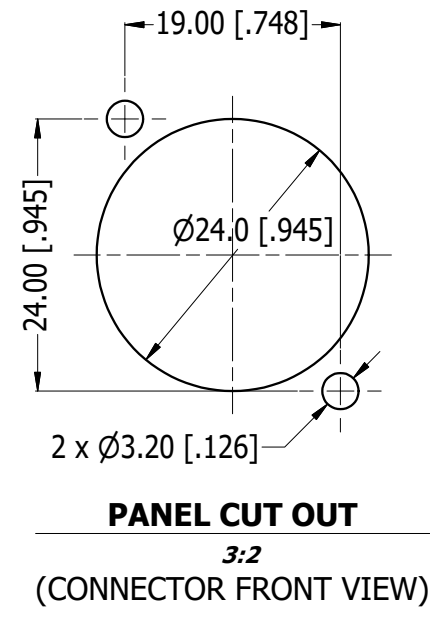


TABLE OF PART NUMBERS		
PART NUMBER	FRONT SHELL FINISH	TRANSMISSION CLASS
RJXS8FD3HB	NICKEL	CLASS D
RJXS8FD5HB	NICKEL	CAT5e
RJXS8FD6HB	NICKEL	CAT6

UNLESS OTHERWISE SPECIFIED TOLERANCE TO BE		THIS DOCUMENT IS THE PROPERTY OF AMPHENOL AUSTRALIA PTY. LTD. NO PART THEREOF MAY BE REPRODUCED AND USED WITHOUT THE PRIOR WRITTEN CONSENT OF THE OWNER.				Amphenol Australia Pty.Ltd, 22 Industry Blvd, Carrum Downs VIC 3201 Australia	
LINER	ANGULAR	MATERIAL:	DRN: T.N	DATE: 16/04/19		TITLE:	PART No:
X ± 0.5	X' ± 1	REFER SPECIFICATION	CKD: P.M	DATE: 16/04/19	XLRnet CONNECTOR HORIZONTAL IP54 CUSTOMER DRAWING	REFER TO TABLE OF PART NUMBERS	1
X.X ± 0.1	X.X' ± 30'		APP'D: P.M	DATE: 16/04/19			
X.X ± 0.05	X.X'X' ± 15'	DO NOT SCALE	FINISH:	SCALE: 3:2	SIZE: A3	55011337-000	2/2
DIMENSIONS IN MILLIMETRES		THIRD ANGLE PROJECTION					