

## N Female to N Female Adapter With Body Flats

Type N female to type N female adapter part number SM4005 from Fairview Microwave is in-stock and ships same day. This Fairview type N to type N adapter has a female to female gender configuration. SM4005 type N female to type N female adapter operates to 18 GHz. The Fairview Microwave RF adapter provides excellent VSWR of 1.2:1 maximum.

RF adapters can be used to enable connections between two connector types that would otherwise not mate. Certain RF adapter configurations can also be used to protect connectors on expensive equipment where the number of connect and disconnect cycles is high. An RF, microwave, or millimeter wave adapter is connected to the equipment and the commonly changed connection is made with the adapter which can be easily replaced when it wears out after high usage; such adapters are referred to as connector savers. Fairview Microwave also offers bulkhead, panel mount, hermetically sealed, reverse polarity, and isolated ground adapter varieties to serve all of your RF, microwave and millimeter wave needs.

### Electrical Specifications

Description	Min	Typ	Max	Units
Frequency Range	DC		18	GHz
VSWR			1.2:1	
Operating Voltage (AC)			1,000	Vrms
DWV (AC)			2,500	Vrms

Electrical Specification Notes:  
 Values at 25°C, sea level.

### Mechanical Specifications

<b>Size</b>	
Length	1.7 in [41.9 mm]
Weight	0.101 lbs [45.81 g]

Description	Connector 1	Connector 2
Type	N Female	N Female
Polarity	Standard	Standard

### Material Specifications

Description	Connector 1	Connector 2
Type	N Female	N Female
Contact Material	Beryllium Copper	Beryllium Copper
Contact Plating	Gold	Gold
Contact Plating Spec.	1.3 µm minimum	1.3 µm minimum
Insulation Material	PTFE	PTFE
Outer Contact Material	Passivated Stainless Steel	Passivated Stainless Steel

### Environmental Specifications

<b>Temperature</b>	
Operating Range	-45 to +120 deg C



### Configuration:

- N Female Connector 1
- N Female Connector 2
- 50 Ohm
- Straight Body Geometry

### Features:

- VSWR of 1.2:1 max up to 18 GHz
- 1.3 µm minimum contact plating
- Gold Plated Beryllium Copper Contact

### Applications:

- General Purpose Test

Fairview Microwave  
 301 Leora Ln., Suite 100  
 Lewisville, TX 75056  
 Tel: 1-800-715-4396 / (972) 649-6678  
 Fax: (972) 649-6689  
[www.fairviewmicrowave.com](http://www.fairviewmicrowave.com)  
[sales@fairviewmicrowave.com](mailto:sales@fairviewmicrowave.com)

**Compliance Certifications** (see [product page](#) for current document)

**Plotted and Other Data**

Notes:

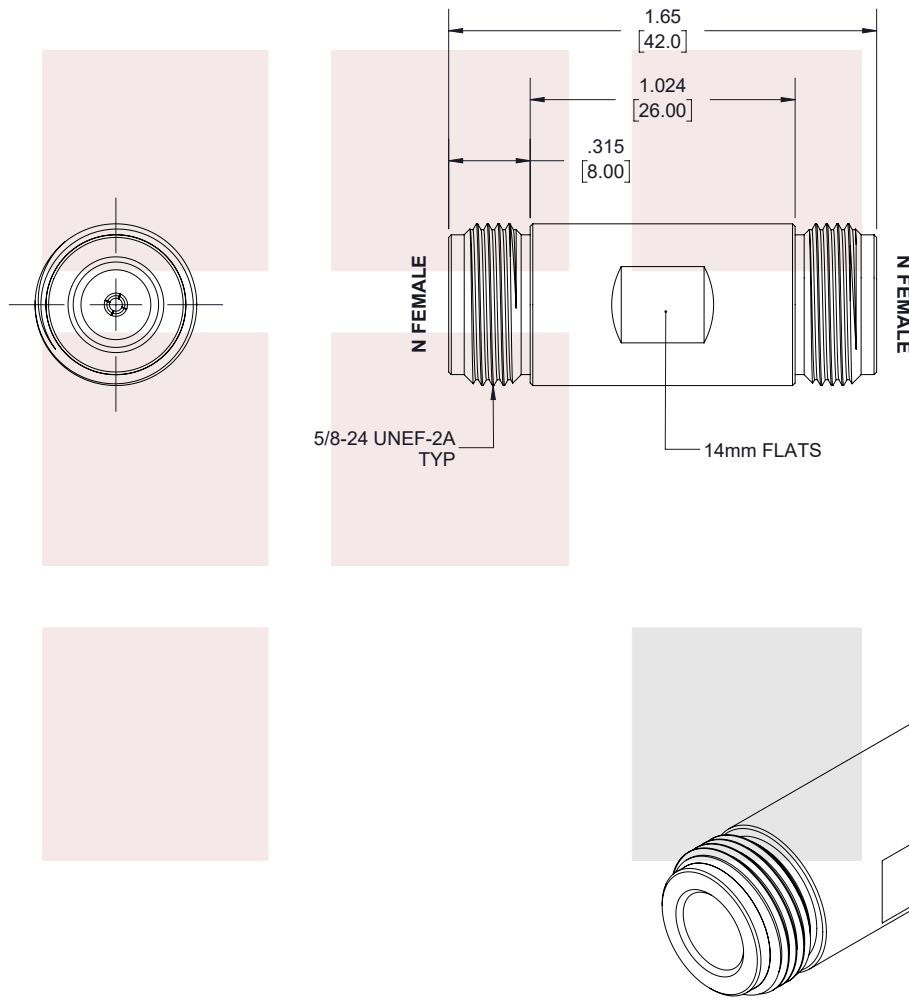
N Female to N Female Adapter With Body Flats from Fairview Microwave is in-stock and available to ship same-day. All of our RF/microwave products are available off-the-shelf from our ISO 9001:2008 certified facilities in Lewisville, Texas. Fairview Microwave is RF on-demand.

For additional information on this product, please click the following link: [N Female to N Female Adapter With Body Flats SM4005](#)

URL: <https://www.fairviewmicrowave.com/precision-n-female-n-female-adapter-sm4005-p.aspx>

The information contained in this document is accurate to the best of our knowledge and representative of the part described herein. It may be necessary to make modifications to the part and/or the documentation of the part, in order to implement improvements. Fairview Microwave reserves the right to make such changes as required. Unless otherwise stated, all specifications are nominal. Fairview Microwave does not make any representation or warranty regarding the suitability of the part described herein for any particular purpose, and Fairview Microwave does not assume any liability arising out of the use of any part or documentation.

REVISIONS			
REV.	DESCRIPTION	DATE	APPROVED
A	PCR SM4005	4/3/2020	S.ELLIS



THESE COMMODITIES, TECHNOLOGY OR SOFTWARE WERE EXPORTED FROM THE UNITED STATES IN ACCORDANCE WITH THE EXPORT ADMINISTRATION REGULATIONS. DIVERSION CONTRARY TO U.S. LAW PROHIBITED.

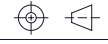
TITLE  
N Female to N Female Adapter With Body Flats

UNLESS OTHERWISE SPECIFIED LEADING DIMENSIONS ARE INCHES  
DIMENSIONS IN [ ] ARE MILLIMETERS

TOLERANCES: CABLE LENGTH (L) TOLERANCES:

.X = ±.2 [5.08]	FRACTIONS	L ≤ 12 [305] = +1 [25] / -0
.XX = ±.02 [.51]	± 1/32	12 [305] < L ≤ 60 [1524] = +2 [51] / -0
.XXX = ±.005 [.13]	ANGLES ± 1°	60 [1524] < L ≤ 120 [3048] = +4 [102] / -0
		120 [3048] < L ≤ 300 [7620] = +6 [152] / -0
		300 [7620] < L = +5%L / -0

THIRD-ANGLE PROJECTION



THE INFORMATION AND DESIGN IN THIS DOCUMENT IS THE PROPERTY OF FAIRVIEW MICROWAVE CORPORATION. ALL RIGHTS RESERVED.

SHEET 1 OF 1

ALL DIMENSIONS SHOWN ARE FOR REFERENCE ONLY.

SCALE N/A

SIZE A	CAGE CODE 3FKR5	DRAWN BY K.DANG	ITEM NO. SM4005	REV A
-----------	--------------------	--------------------	--------------------	----------

T-Rev.D