

# N-N F/F 12.4GHZ BULKHEAD HERMETIC 75 OHMS

SM4057

## SPECIFICATIONS

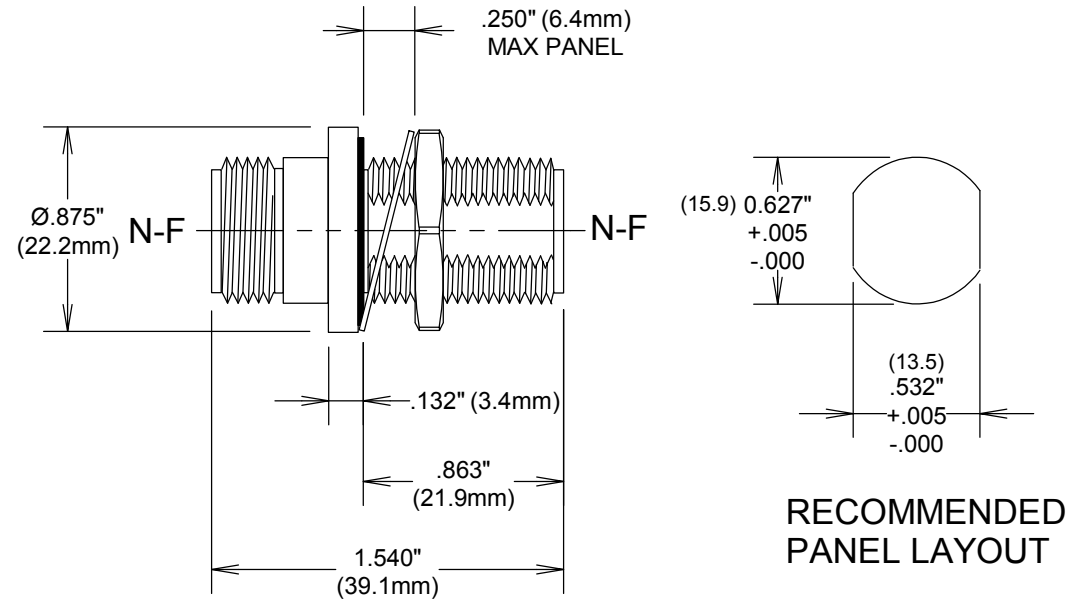
### ELECTRICAL

FREQUENCY: 0-12.4 GHZ  
 IMPEDANCE: 75 OHMS

### MECHANICAL

MATERIALS BODY: NICKEL PLATED BRASS  
 MATERIALS CONTACTS: BeCu  
 CONTACT PLATING: Si QQ-S-365  
 INTERFACE: MIL-STD-348  
 OP TEMP -55-100° C

### HERMETIC



**FAIRVIEW MICROWAVE INC.**

ALLEN, TX 75013 WWW.FAIRVIEWMICROWAVE.COM

TITLE

**N-N F/F 12.4GHZ BULKHEAD  
 HERMETIC 75 OHMS**

SIZE	CAGE CODE	DWG NO	REV
<b>A</b>	<b>3FKR5</b>	<b>SM4057</b>	<b>B</b>

ALL DIMENSIONS IN inches(MM) Typical

SCALE	SHEET
-------	-------