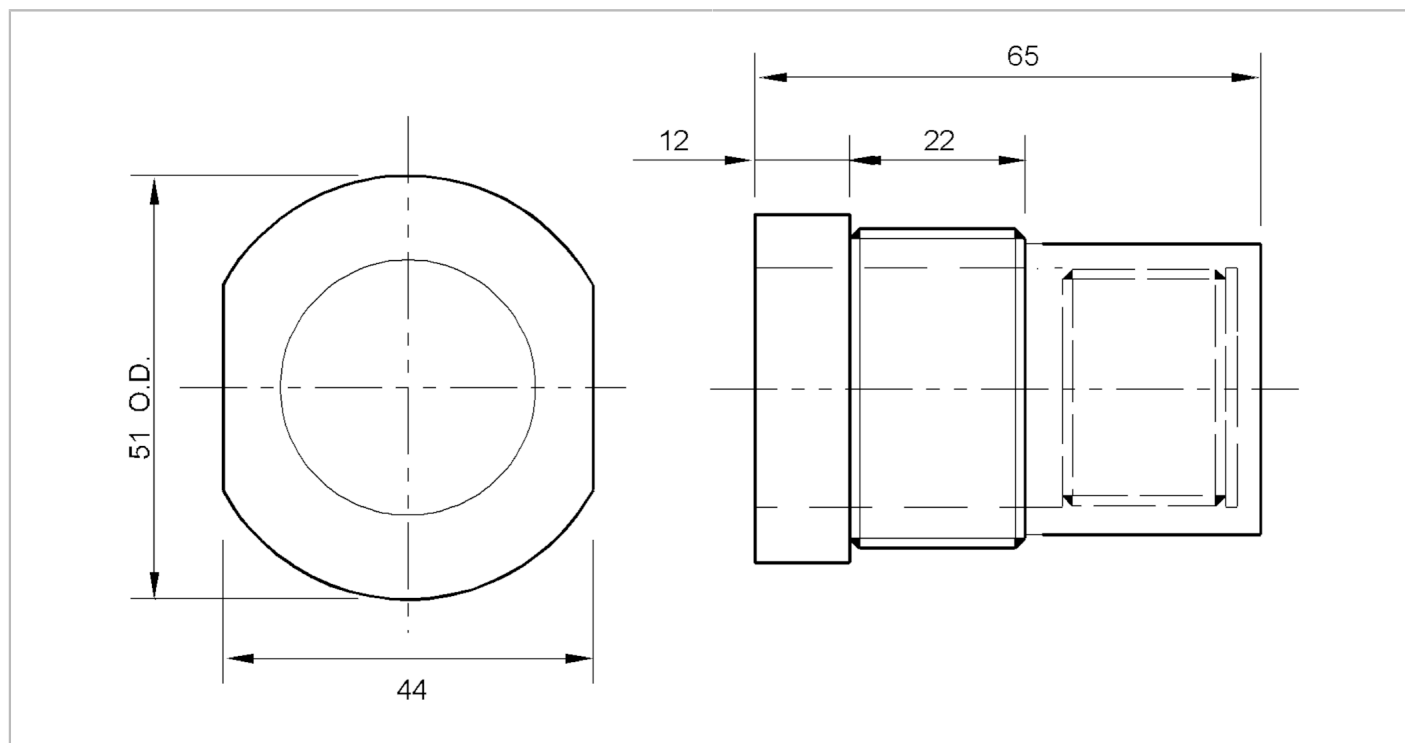


U10003



Mounting adapter for capacitive sensors

WELL, M30, 1-1/4" NPT, PTFE



Application	
Design	for types M30
Pressure rating [bar]	6.9
Operating conditions	
Ambient temperature [°C]	-25...246
Note on ambient temperature	-25...260 for short duration
Mechanical data	
Weight [g]	90.718
Material	PTFE
Process connection	1 1/4" NPT
Remarks	
Pack quantity	1 pcs.