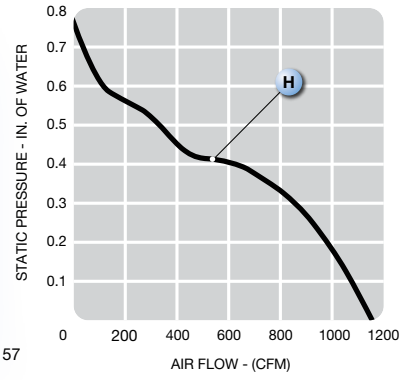
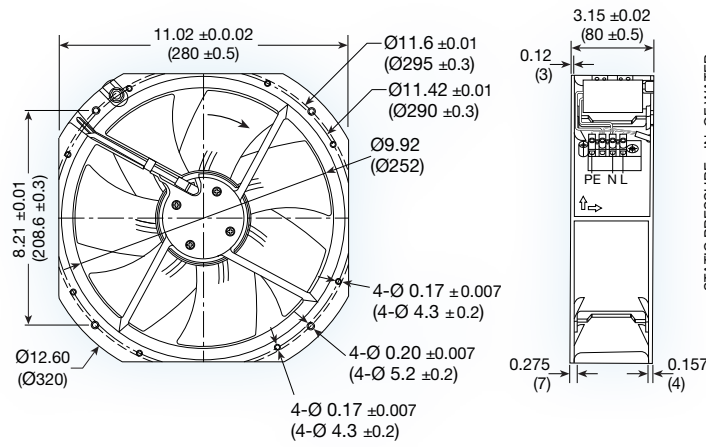


UF250BMB-H1 series

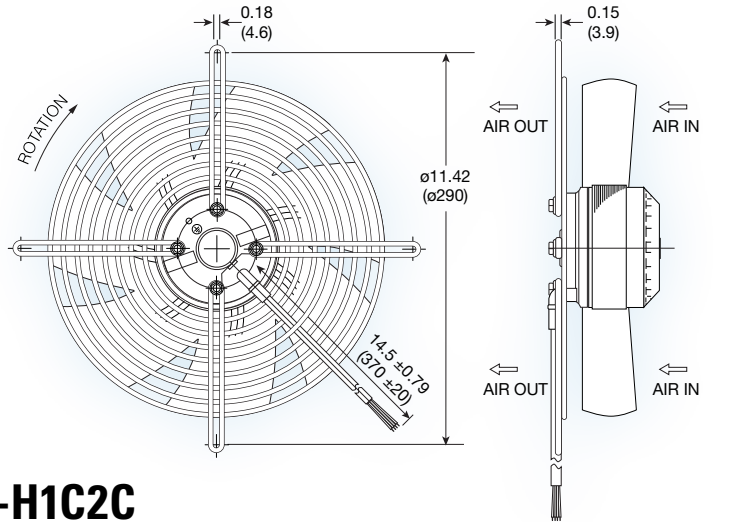


(280 x 280 x 80 mm)
11.02 x 11.02 x 3.15 inches

- Features:** -20° ~ 70°C operating temperature range
- Operating voltage: 115 or 230 VAC
- Construction: metal frame and impeller
- Bearing option: ball bearing with high temp lubricant
- Motor: permanent split capacitor - Class F insulation
- Air Flow: exhaust over struts
- Connection: terminal
- Protection: thermal
- Option: tachometer output

Model No.	Rated Voltage V	Freq. HZ	Input Power W	Rated Cur. A	Locked Cur. A	Speed RPM	Air Volume		Max. Static Pressure (H ₂ O)		Sound Noise dB(A)	Weight kg
							M ³ /Min.	CFM	MM	INCH		
UF250BMB12-H1	115	60	148	1.50	1.90	2,700	32	1130	20	0.78	70	2.80
UF250BMB23-H1	230	60	158	0.82	0.91	2,700	32	1130	20	0.78	70	2.80

-H1C2B (With Guard/No Frame)



-H1C2C (Without Frame or Guard)

