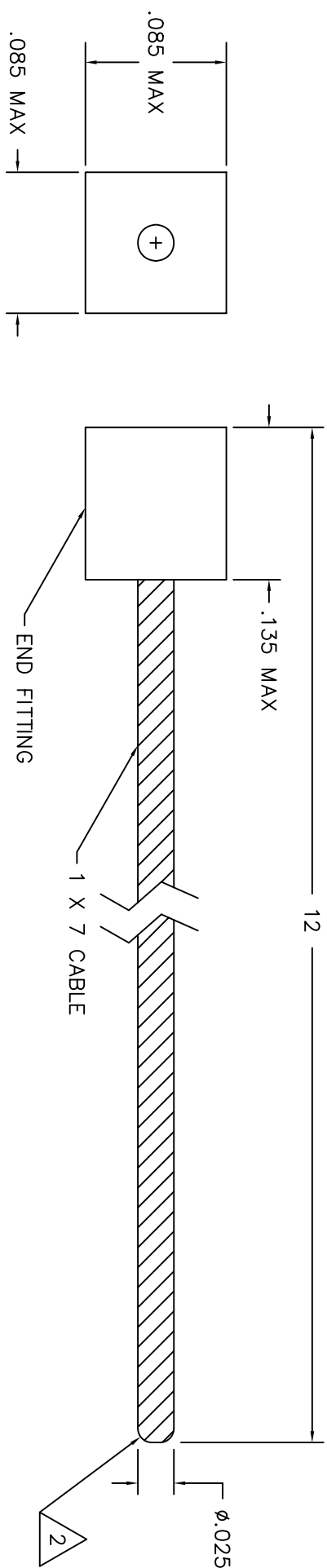


REVISIONS				
REV. SYM.	E.C.O. NUMBER	DESCRIPTION	BY DATE	APP'D. DATE
1		ORIGINAL RELEASE	JMU 12/19/05	RRR 12/19/05



**UNCONTROLLED DOCUMENT
WILL NOT BE UPDATED**

3. FERRULES SHALL BE PACKAGED IN A DISPOSABLE CARTRIDGE – 50 PIECES PER PACKAGE.
2. END SHALL BE FUSED BY FLASH WELD PROCESS WITH NO LOOSE STRANDS.
1. PART NUMBER REPRESENTS FIFTY (50) SAFETY CABLE KITS PACKAGED IN A SLEEVE.

NOTES:

MATERIAL	321 SS (UNS S32100)	ITEM	PART NO.	QTY.	DESCRIPTION/REMARKS
HEAT TREAT		DRN.	J. JOYCE	DATE	12/19/05
		CHK'D.	RRR	DATE	12/19/05
		APP'D.		DATE	
FINISH		NOTE: THIS DRAWING IS AN OUTLINE DRAWING OF THE RESPECTIVE INDICATED ACTUAL DIM. PART NUMBER IS DRAWING NUMBER WITHOUT THE "-ENV" SUFFIX.			
DO NOT SCALE DRAWING		WHERE USED:	SIZE	CAD P/N	SHEET OF
		POSTING	B	C10-112PKG-ENV	1
			NTS	C10-112PKG-ENV	1
				DWG. NO. C10-112PKG-ENV	REV. 1

D/M/C DANIELS MANUFACTURING CORP.
ORLANDO, FLORIDA
CAGE 11851

TITLE SAFETY CABLE KIT, 12",
.020 DIA.
ENVELOPE DRAWING