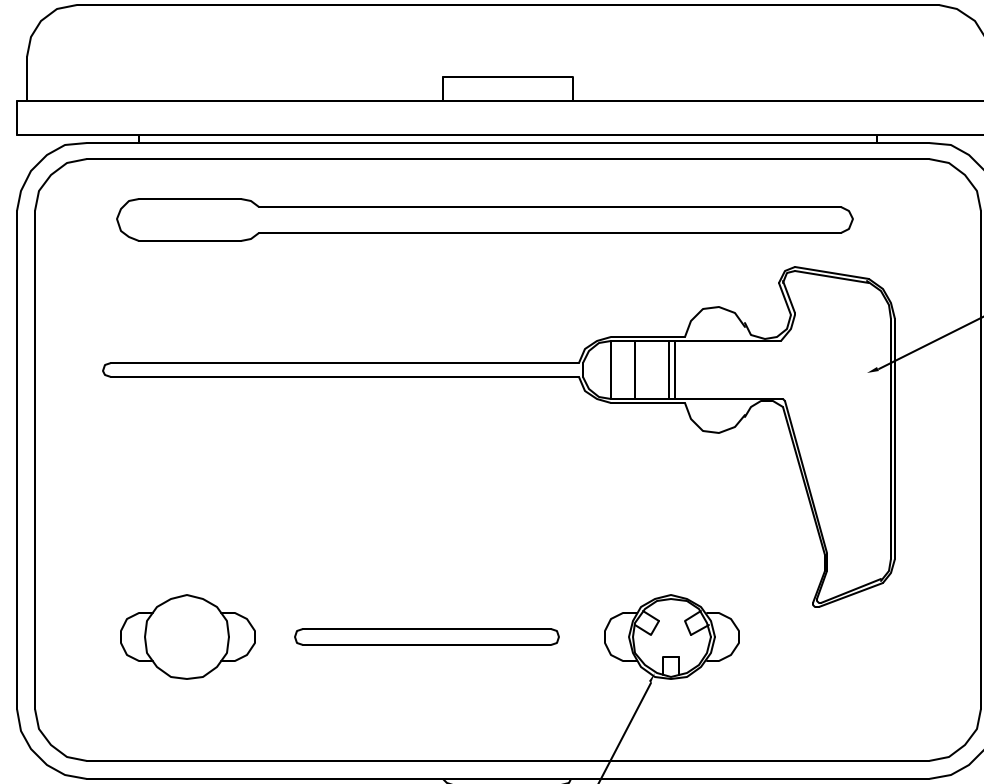


REVISIONS				
REV. NO.	ECN NUMBER	DESCRIPTION	BY DATE	APPD DATE
2		ADDED NOTE 2	JWJ 8/30/02	RWR 8/30/02



DAK1-16P INSERTION TOOL



G525



HUGLES 1018890.
 HUGLES TK01&PP01.
 NOTES:

**UNCONTROLLED DOCUMENT
WILL NOT BE UPDATED**

RESTRICTED & CONFIDENTIAL		MATERIAL	ITEM	PART NO.	QTY.	DESCRIPTION/REMARKS			
<small>CONFIDENTIAL PROPERTY OF DANIELS MANUFACTURING CORP. NOT TO BE DISCLOSED TO OTHERS, REPRODUCED OR USED FOR ANY OTHER PURPOSE EXCEPT AS AUTHORIZED IN WRITING BY DANIELS MANUFACTURING. MUST BE RETURNED TO DANIELS MANUFACTURING CORP. ON COMPLETION OF ORDER OR OTHER PURPOSE FOR WHICH LENT.</small>		HEAT TREAT	DRW.	JWC	DATE 8-18-02	DANIELS MANUFACTURING CORP. ORLANDO, FLORIDA GAKE 118ST			
			CHKD.	JWJ	DATE 8-28-02				
			APPR.		DATE	TITLE			
			APRD.		DATE	TOOL SET ENVELOPE DRAWING			
DO NOT SCALE DRAWING		FINISH	WHERE USED:		SIZE	SCALE	EAD P/N	SHEET	OF
			C	NTS	DAK1-16P-S-ENV	1	1		
			PODING		P/N	DAK1-16P-S-ENV	REV.	2	