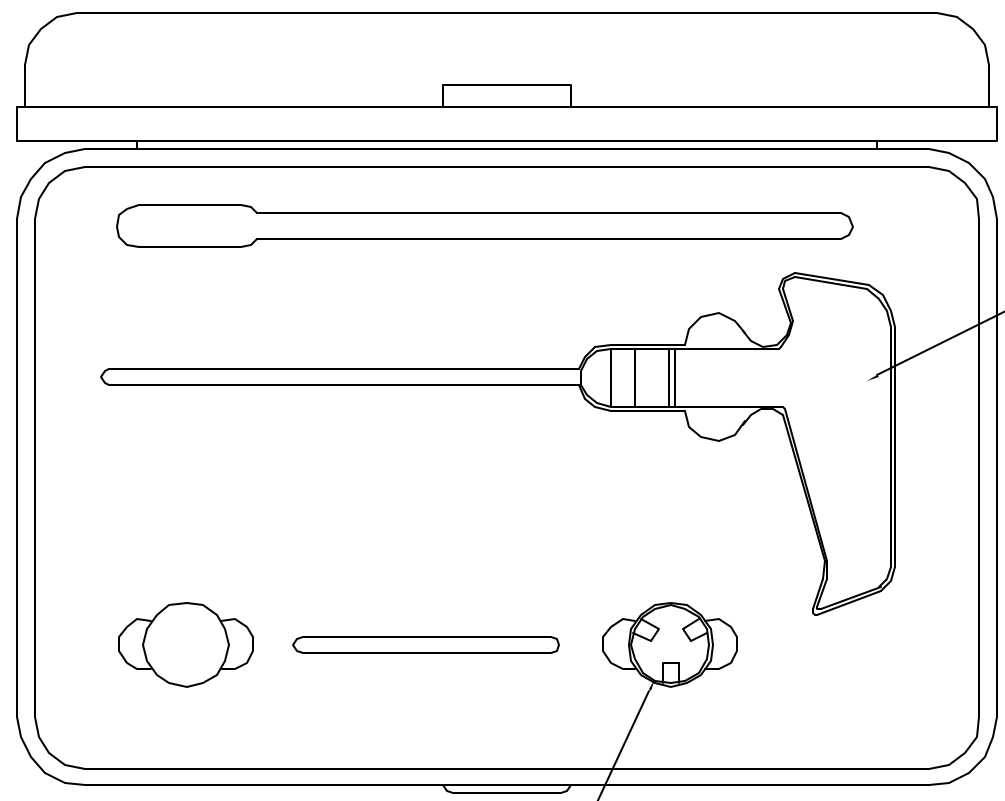


REVISIONS				
REV. SYM.	S.A.D. NUMBER	DESCRIPTION	BY DATE	APPRO. DATE
2		ADDED NOTE 2	JM 8/20/01	RRR 8/20/01



DAK1-16S INSERTION TOOL




G528



△ HUGHES 10189901.  
△ HUGHES TK01@PS01.

NOTES:

**UNCONTROLLED DOCUMENT  
WILL NOT BE UPDATED**

RESTRICTED & CONFIDENTIAL		MATERIAL	ITEM	PART NO.	QTY.	DESCRIPTION/REMARKS
CONFIDENTIAL PROPERTY OF DANIELS MANUFACTURING CORP. NOT TO BE DISCLOSED TO OTHERS, REPRODUCED OR USED FOR ANY OTHER PURPOSE. CREDIT AS AUTHORIZED IN WRITING BY DANIELS MANUFACTURING CORP. MUST BE RETURNED TO DANIELS MANUFACTURING CORP. ON COMPLETION OF ORDER OR OTHER PURPOSE FOR WHICH Lent.		HEAT TREAT	DRW	JWC	DATE	 DANIELS MANUFACTURING CORP. ORLANDO, FLORIDA GAGE 71851
			QTY.	JWJ	DATE	
			APPR.		DATE	TITLE
			APPR.		DATE	TOOL SET ENVELOPE DRAWING
DO NOT SCALE DRAWING		FINISH	P/N DAK1-16S-S-ENV		SHEET 1 OF 1	REV. 2