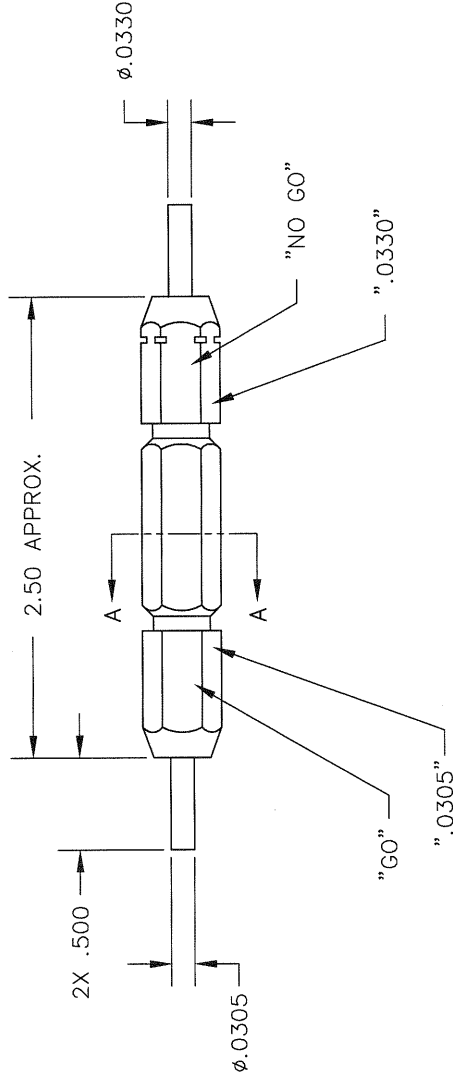


"DANIELS-USA G822"



"DO NOT CRIMP"
"GAGE"

SECTION A-A



**UNCONTROLLED DOCUMENT
WILL NOT BE UPDATED**

REVISIONS

REV. STAMP	E.C.O. NUMBER	DESCRIPTION	BY DATE (MM/DD/YY)	ISSUED DATE (MM/DD/YY)
1		ORIGINAL RELEASE	RRR 3/19/99	RRR 3/19/99

RESTRICTED & CONFIDENTIAL
CONFIDENTIAL PROPERTY OF DANIELS MANUFACTURING CORP. NOT TO BE DISCLOSED TO OTHERS, REPRODUCED OR USED FOR ANY OTHER PURPOSE, EXCEPT AS AUTHORIZED IN WRITING BY DANIELS MANUFACTURING MANUFACTURING CORP. UPON COMPLETION OF ORDER OR OTHER PURPOSE FOR WHICH LENT.

DO NOT SCALE DRAWING

ITEM	PART NO.	QTY.	DESCRIPTION/REMARKS
DRN. J. JOYCE 9/19/99	DATE 9/19/99		DANIELS MANUFACTURING CORP. ORLANDO, FLORIDA GAGE 11851
CHK'D. RRR	DATE 9/19/99		
APP'D.	DATE		
APP'D.	DATE		
<p>NOTE: THIS DRAWING IS AN OUTLINE DRAWING. THE DIMENSIONS INDICATED, ACTUAL DIM PART NUMBER IS DRAWING NUMBER WITHOUT THE "-ENV" SUFFIX.</p> <p>WHERE USED: SIZE SCALE POSTING</p>			
<p>GO/NO-GO GAGE ENVELOPE DRAWING</p>			<p>CAD P/N G822-ENV</p> <p>DWG. NO. G822-ENV</p> <p>SHEET OF 1</p> <p>REV. 1</p>