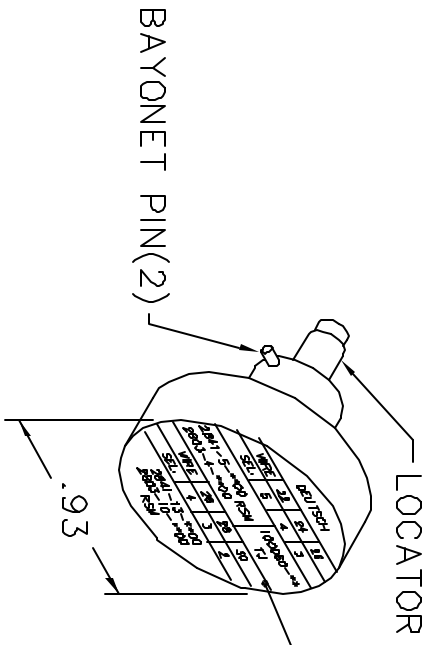
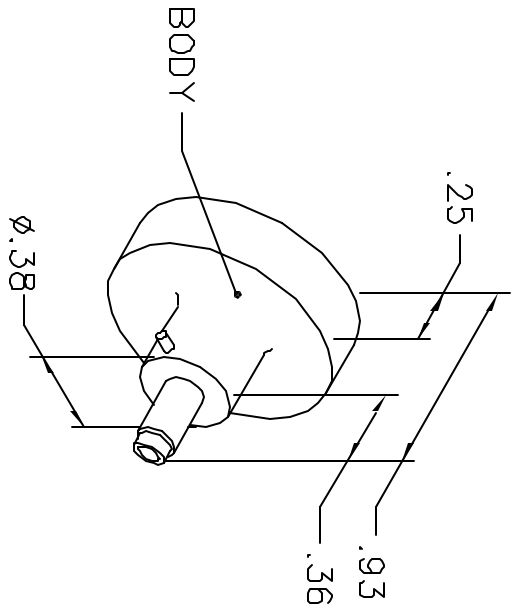


REVISIONS				
REV. SYM.	E.C.O. NUMBER	DESCRIPTION	BY DATE	APP'D DATE
1		ORIGINAL RELEASE	AAM 2-6-98	RRR 2-6-98

**UNCONTROLLED DOCUMENT
WILL NOT BE UPDATED**



DEUTSCH			
WIRE	22	24	26
SEL.	5	4	3
2841-5-**-00 RSM		100060-**-TJ	
2803-4-**-00			
WIRE	26	28	30
SEL.	4	3	2
2841-13-**-00 RSM		2803-10-**-00 RSM	

NOTE: FOR USE WITH DANIELS CRIMP TOOL, MH800.

LOCATOR	ADDITIONAL FEATURES
HOLE DIMENSIONS	$\perp \phi .062$
	$\perp .430$
	$\perp .100$

RESTRICTED & CONFIDENTIAL

CONFIDENTIAL PROPERTY OF DANIELS MANUFACTURING CORP. NOT TO BE DISCLOSED TO OTHERS, REPRODUCED OR USED FOR ANY OTHER PURPOSE, EXCEPT AS AUTHORIZED IN WRITING BY DANIELS MANUFACTURING. MUST BE RETURNED TO DANIELS MANUFACTURING CORP. ON COMPLETION OF ORDER OR OTHER PURPOSE FOR WHICH LENT.

DO NOT SCALE DRAWING

DRN. A. MOO-YOUNG	DATE 2-6-98
CHKD. RRR	DATE 2-6-98
APP'D.	DATE
APP'D.	DATE

DANIELS MANUFACTURING CORP.
ORLANDO, FLORIDA
CAGE 11851

ENVELOPE DRAWING POSITIONER

WHERE USED: MH800

SIZE A	SCALE NTS	CAD P/N K127-ENV	SHEET 1 OF 1
POSTING		P/N K127-ENV	REV. 1