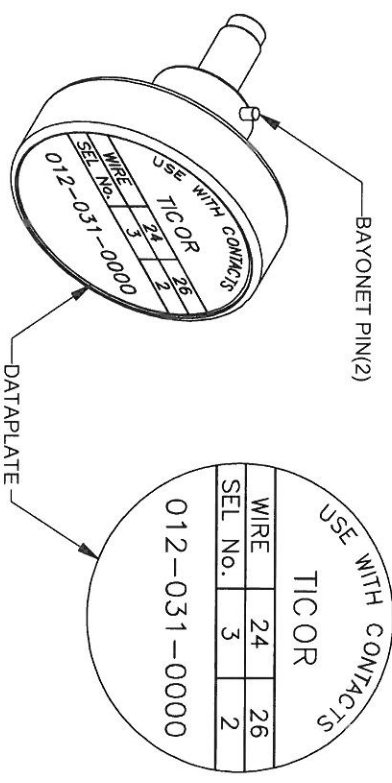
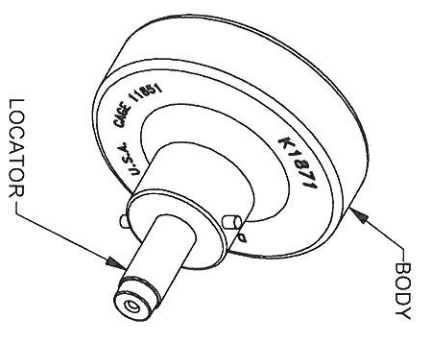
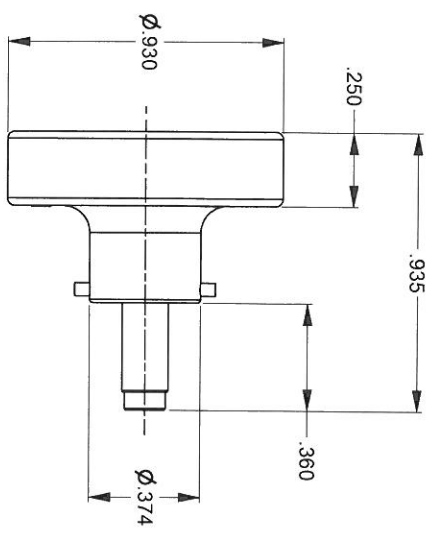


REVISIONS			
REV	ECO NUMBER	DESCRIPTION	BY DATE
1	22841	ORIGINAL RELEASE	03-11-18

**UNCONTROLLED DOCUMENT  
WILL NOT BE UPDATED**

DIMENSIONS IN INCHES - UNLESS OTHERWISE SPECIFIED



LOCATOR	
HOLE DIMENSIONS	Ø.035
ADDITIONAL FEATURES	▽.154

RESTRICTED & CONFIDENTIAL		MATERIAL		ITEM		PART No.		QTY.		DESCRIPTION/REMARKS	
CONGRESSIONAL PROPERTY OF DANIELS MANUFACTURING CORP. NOT TO BE DISCLOSED TO OTHERS, REPRODUCED OR USED FOR ANY OTHER PURPOSE EXCEPT AS AUTHORIZED IN WRITING BY DANIELS MANUFACTURING CORP. MUST BE RETURNED TO DANIELS MANUFACTURING CORP. ON COMPLETION OF ORDER OR OTHER PURPOSE FOR WHICH LENT.		HEAT TREAT		DIN 1.2344		DATE 12-21-12				<b>DANIELS MANUFACTURING CORP.</b> ORLANDO, FLORIDA CAGE 11851	
		FINISH		CIRCO		DATE					
CREATED FROM AN INVENTOR MODEL. CHANGES MUST BE REFLECTED IN THE 3D PART DO NOT SCALE DRAWING		NOTE:		THIS DRAWING IS AN OUTLINE DRAWING OF THE RESPECTIVE INDICATED ACTUAL DIM PART NUMBER WITHOUT THE "ENV" SUFFIX		WHERE USED: AFW8 SIZE SCALE B 2.5X POSTING		CAD P/N K1871-ENV		SHEET OF 11 REV. 1	
		TITLE		POSITIONER ENVELOPE DRAWING		P/N K1871-ENV					