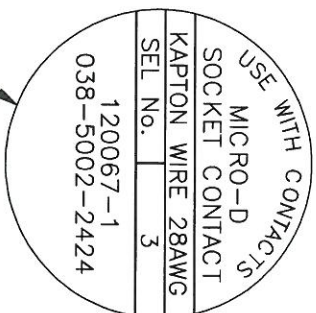
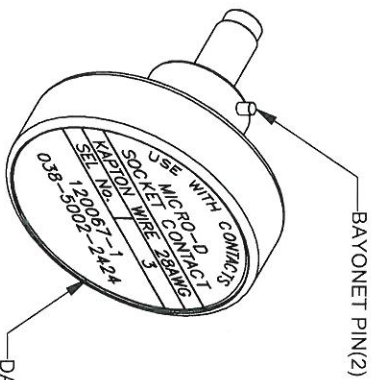
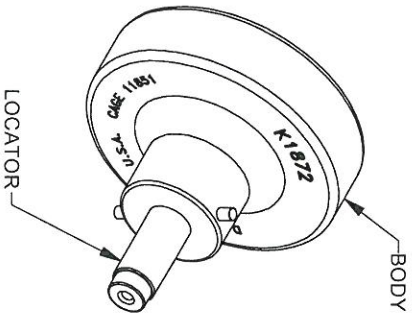
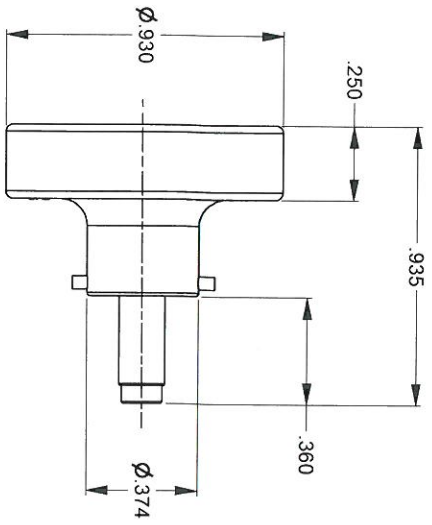


REVISIONS			
REV	ECO	DESCRIPTION	BY DATE
1	22841	ORIGINAL RELEASE	03-11-13

**UNCONTROLLED DOCUMENT
WILL NOT BE UPDATED**

DIMENSIONS IN INCHES - UNLESS OTHERWISE SPECIFIED



LOCATOR	
HOLE DIMENSIONS	Ø.041
ADDITIONAL FEATURES	▽.518

RESTRICTED & CONFIDENTIAL		MATERIAL		ITEM		PART No.		QTY.		DESCRIPTION/REMARKS	
CONFIDENTIAL PROPERTY OF DANIELS DISCLOSED TO OTHERS, REPRODUCED OR USED FOR ANY OTHER PURPOSE EXCEPT AS AUTHORIZED IN WRITING BY DANIELS MANUFACTURING CORP. MUST BE RETURNED TO DANIELS MANUFACTURING CORP. ON COMPLETION OF ORDER OR OTHER PURPOSE FOR WHICH LENT		HEAT TREAT		DIN JIS		DATE				WHERE USED: AFM8 SCALE: 2.5X POSTING: P/N	
		FINISH		APPD.		DATE					
CREATED FROM AN INVENTOR MODEL. CHANGES MUST BE REFLECTED IN THE 3D PART				NOTE: THIS DRAWING IS AN OUTLINE DRAWING OF THE RESPECTIVE DMG PART NUMBER PART NUMBER'S DRAWING THE "ENV" SUFFIX		TITLE DMG DANIELS MANUFACTURING CORP. ORLANDO, FLORIDA CASE 11851		POSITIONER ENVELOPE DRAWING		SHEET OF 11 DATE 11	
DO NOT SCALE DRAWING								K1872-ENV		1	