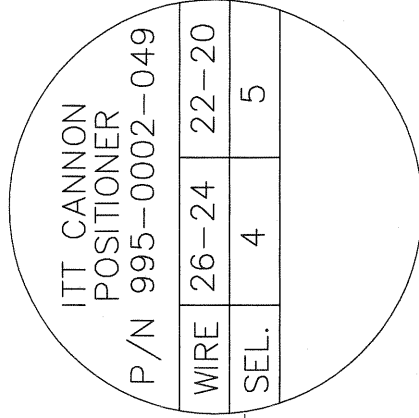
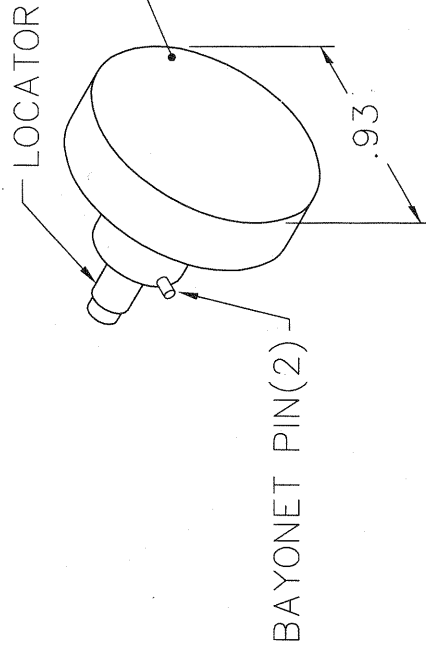
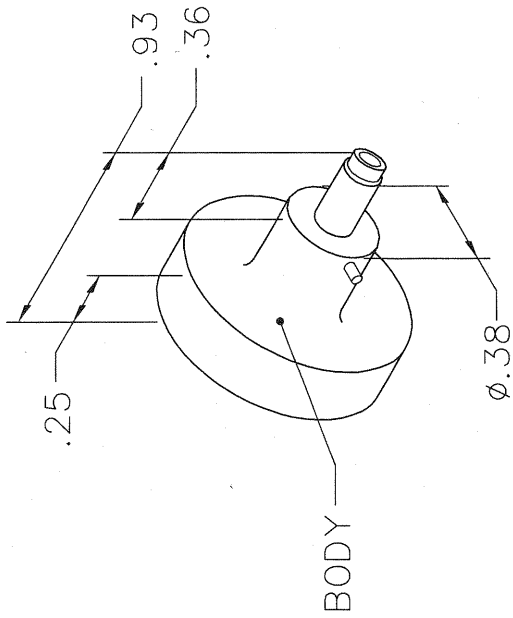


REVISIONS

REV. SYM.	E.C.O. NUMBER	DESCRIPTION	BY DATE	APP'D DATE
1		ORIGINAL RELEASE	TD 8-20-10	

**UNCONTROLLED DOCUMENT
WILL NOT BE UPDATED**

DIMENSIONS IN INCHES - UNLESS OTHERWISE SPECIFIED



NOTE: FOR USE WITH DANIELS CRIMP TOOLS
ACCOMMODATING "K" SERIES POSITIONERS

LOCATOR	HOLE DIMENSIONS	ADDITIONAL FEATURES
	φ.043	┌ φ.063
	∇.530	∇.505

RESTRICTED & CONFIDENTIAL

CONFIDENTIAL PROPERTY OF DANIELS MANUFACTURING CORP. NOT TO BE DISCLOSED TO OTHERS. REPRODUCED OR USED FOR ANY OTHER PURPOSE, EXCEPT AS AUTHORIZED IN WRITING BY DANIELS MANUFACTURING.

MUST BE RETURNED TO DANIELS MANUFACTURING CORP. ON COMPLETION OF ORDER OR OTHER PURPOSE FOR WHICH LENT.

DO NOT SCALE DRAWING

DRN. <i>Tony Dilworth</i>	DATE 8-20-10	DANIELS MANUFACTURING CORP. ORLANDO, FLORIDA CAGE 11851	
CHK'D.	DATE	TITLE	ENVELOPE DRAWING POSITIONER
APP'D.	DATE	WHERE USED: AFMB	
APP'D.	DATE	SIZE SCALE	A NTS
NOTE: THIS DRAWING IS AN OUTLINE DRAWING OF THE RESPECTIVE DMC PART NUMBER INDICATED. ACTUAL DMC PART NUMBER IS DRAWING NUMBER WITHOUT THE "-ENV" SUFFIX.		CAD P/N	K345-1-ENV
		POSTING	DWG. NO. K345-1-ENV
		SHEET OF	1 1
		REV.	1