



Sensors > Position Sensors > LVDT/LVIT Sensors > GENERAL PURPOSE LVDT



Housing Diameter: 20.6 mm [ .812 in ]

Full Stroke Ranges:  $\pm 25.4$  mm [  $\pm 1$  in ]

Linearity:  $\pm .25$  % of Span

Linear Position Sensor - LVDT/LVIT Housing Material: **Stainless Steel**

Linear Position Sensor - LVDT/LVIT Form Factor: **Cylindrical**

#### [All GENERAL PURPOSE LVDT \(18\)](#)

## Features

### Electrical Characteristics

Linear Position Sensor - LVDT/LVIT Supply Voltage	3 V
Excitation Frequency	400 – 5000 Hz
Electrical Connections	Leads

### Signal Characteristics

Excitation Frequency	.4 – 5 kHz
----------------------	------------

### Body Features

Linear Position Sensor - LVDT/LVIT Form Factor	Cylindrical
Spring Loaded	Separate Core

### Housing Features

Housing Diameter	20.6 mm [.812 in]
Linear Position Sensor - LVDT/LVIT Housing Material	Stainless Steel

### Usage Conditions

Operating Temperature Range	-55 – 150 °C [-67 – 302 °F]
-----------------------------	-----------------------------

### Industry Standards

IP Rating	IP61
Industry Standards	RoHS

## Other

Full Stroke Ranges	±25.4 mm[±1 in]
Linearity	±.25 % of Span

## Product Compliance

[For compliance documentation, visit the product page on TE.com>](#)

EU RoHS Directive 2011/65/EU	Compliant
EU ELV Directive 2000/53/EC	Out of Scope
China RoHS 2 Directive MIIT Order No 32, 2016	No Restricted Materials Above Threshold
EU REACH Regulation (EC) No. 1907/2006	Current ECHA Candidate List: JUNE 2023 (235) Candidate List Declared Against: JUNE 2023 (235) Does not contain REACH SVHC
Halogen Content	Not Yet Reviewed for halogen content
Solder Process Capability	Not reviewed for solder process capability

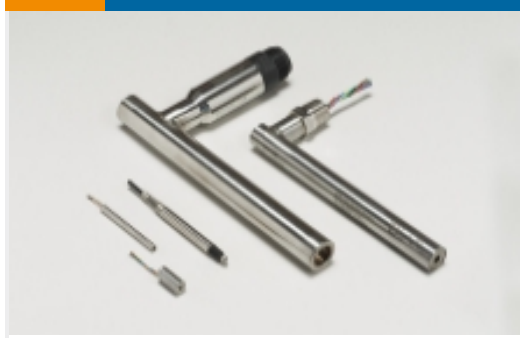
### Product Compliance Disclaimer

This information is provided based on reasonable inquiry of our suppliers and represents our current actual knowledge based on the information they provided. This information is subject to change. The part numbers that TE has identified as EU RoHS compliant have a maximum concentration of 0.1% by weight in homogenous materials for lead, hexavalent chromium, mercury, PBB, PBDE, DBP, BBP, DEHP, DIBP, and 0.01% for cadmium, or qualify for an exemption to these limits as defined in the Annexes of Directive 2011/65/EU (RoHS2). Finished electrical and electronic equipment products will be CE marked as required by Directive 2011/65/EU. Components may not be CE marked. Additionally, the part numbers that TE has identified as EU ELV compliant have a maximum concentration of 0.1% by weight in homogenous materials for lead, hexavalent chromium, and mercury, and 0.01% for cadmium, or qualify for an exemption to these limits as defined in the Annexes of Directive 2000/53/EC (ELV). Regarding the REACH Regulations, TE's information on SVHC in articles for this part number is still based on the European Chemical Agency (ECHA) 'Guidance on requirements for substances in articles' (Version: 2, April 2011), applying the 0.1% weight on weight concentration threshold at the finished product level. TE is aware of the European Court of Justice ruling of September 10th, 2015 also known as O5A (Once An Article Always An Article) stating that, in case of 'complex object', the threshold for a SVHC must be applied to both the product as a whole and simultaneously to each of the articles forming part of its composition. TE has evaluated this ruling based on the new ECHA "Guidance on requirements for substances in articles" (June 2017, version 4.0) and will be updating its statements accordingly.

## Compatible Parts

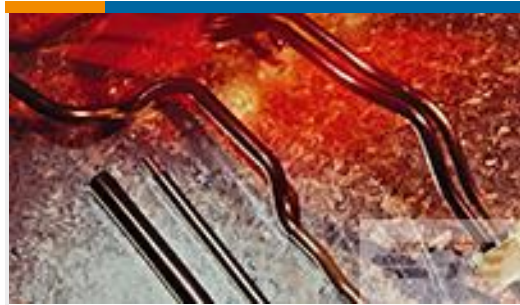


## Also in the Series | HR



LVDT/LVIT Sensors(34)

## Customers Also Bought



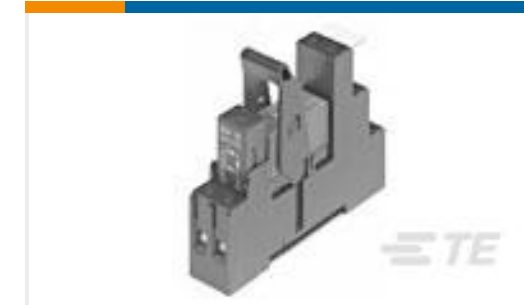
TE Part #9556822004  
DWTC-4/1-X-STK



TE Part #20009605-20  
FX29K0-100A-0010-L



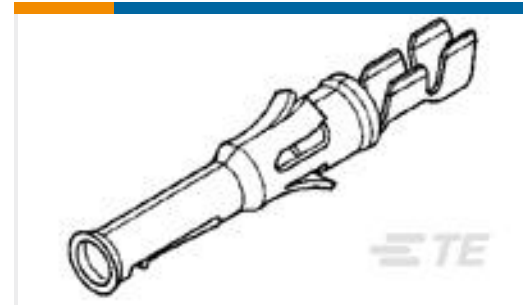
TE Part #02291333-000  
LDM-1000 LVDT CONDITIONER DIN



TE Part #1-1415073-1  
RT4S4LC4



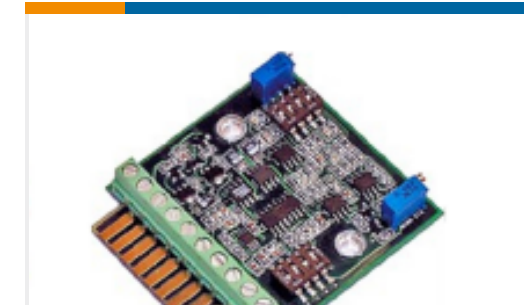
TE Part #5748270-2  
FEMALE SCREWLOCK,ZN PLTD



TE Part #66594-4  
TYPE VI SKT,MULTI-MATE,L.P.



TE Part #66587-2  
TYPE VI PIN,MULTI-MATE,L.P.



TE Part #04171776-000  
LVM-110 AMP/DEMODO BD ASSY



TE Part #34119  
TERMINAL,SOLIS R 16-14 4



TE Part #895313-000  
55A1822-22-9/96-9CS2275

## Documents

[CAD Files](#)

[3D PDF](#)

[3D](#)

[Customer View Model](#)

[ENG\\_CVM\\_CVM\\_02560395-000\\_N.2d\\_dxf.zip](#)

[English](#)

[Customer View Model](#)



[ENG\\_CVM\\_CVM\\_02560395-000\\_N.3d\\_igs.zip](#)

English

**Customer View Model**

[ENG\\_CVM\\_CVM\\_02560395-000\\_N.3d\\_stp.zip](#)

English

By downloading the CAD file I accept and agree to the [Terms and Conditions](#) of use.

---

**Datasheets & Catalog Pages**

**General Purpose LVDT**

English