

2045880-6 ✓ ACTIVE

SCHRACK | SCHRACK SRL7

TE Internal #: 2045880-6

Power Relays, Force-Guided, Monostable, DC, 700 mW Coil Power Rating DC, 463  $\Omega$  Coil Resistance, 18 VDC Coil Voltage, SCHRACK SRL7

[View on TE.com >](#)



Relays & Contactors > Relays > Power Relays > Force Guided Relay with 7 contacts



Power Relay Type: **Force-Guided**

Coil Magnetic System: **Monostable, DC**

Coil Power Rating DC: **700 mW**

Coil Resistance: **463  $\Omega$**

Coil Voltage Rating: **18 VDC**

[All Force Guided Relay with 7 contacts \(8\)](#)

## Features

### Product Type Features

Power Relay Type	Force-Guided
------------------	--------------

### Electrical Characteristics

Insulation Initial Dielectric Between Coil & Contact Class	2500 – 3000 V, 3500 – 4000 V
Insulation Initial Dielectric Between Open Contacts	1000 Vrms
Contact Limiting Making Current	6 A
Contact Limiting Short-Time Current	6 A
Contact Limiting Continuous Current	6 A
Insulation Creepage Class	3 – 5.5 mm
Coil Power Rating Class	600 – 800 mW
Insulation Initial Dielectric Between Adjacent Contacts	2500 Vrms, 4000 Vrms
Insulation Initial Dielectric Between Contacts & Coil	2500 Vrms, 4000 Vrms
Insulation Creepage Between Contact & Coil	3 mm, 4 mm, 5.5 mm [.217 in]
Contact Limiting Breaking Current	6 A
Coil Magnetic System	Monostable, DC
Coil Power Rating DC	700 mW
Coil Resistance	463 $\Omega$

Coil Voltage Rating	18 VDC
Contact Switching Load (Min)	10mA @ 5V
Contact Switching Voltage (Max)	400 VAC
Contact Voltage Rating	250 VAC

### Body Features

Product Weight	33 g[1.164 oz]
----------------	----------------

### Contact Features

Contact Special Features	Force Guided Contacts
Contact Arrangement	5 Form A (NO) + 2 Form B (NC)
Contact Current Class	5 – 10 A
Contact Current Rating (Max)	6 A
Contact Material	AgSnO2
Contact Number of Poles	7
Relay Terminal Type	PCB-THT

### Mechanical Attachment

Relay Mounting Type	Printed Circuit Board
---------------------	-----------------------

### Dimensions

Length Class (Mechanical)	50 – 60 mm
Insulation Clearance Class	5 – 8 mm
Height Class (Mechanical)	10 – 11 mm
Insulation Clearance Between Contact & Coil	5.5 mm[.217 in]
Width Class (Mechanical)	30 – 40 mm
Product Width	33.8 mm[1.331 in]
Product Length	54.45 mm[2.144 in]
Product Height	10.8 mm[.425 in]

### Usage Conditions

Environmental Ambient Temperature Class	-25 – 85 °C
Environmental Ambient Temperature (Max)	85 °C[185 °F]

### Packaging Features

Packaging Method	Box & Tray
------------------	------------

### Other

Comment	Well suited for emergency shut-off,
---------	-------------------------------------



machine control, elevator and escalator control, light barrier control

### Product Compliance

[For compliance documentation, visit the product page on TE.com>](#)

EU RoHS Directive 2011/65/EU	Compliant
EU ELV Directive 2000/53/EC	Compliant
China RoHS 2 Directive MIIT Order No 32, 2016	No Restricted Materials Above Threshold
EU REACH Regulation (EC) No. 1907/2006	Current ECHA Candidate List: JUNE 2023 (235) Candidate List Declared Against: JUNE 2023 (235) Does not contain REACH SVHC
Halogen Content	Not Low Halogen - contains Br or Cl > 900 ppm.
Solder Process Capability	Wave solder capable to 260°C

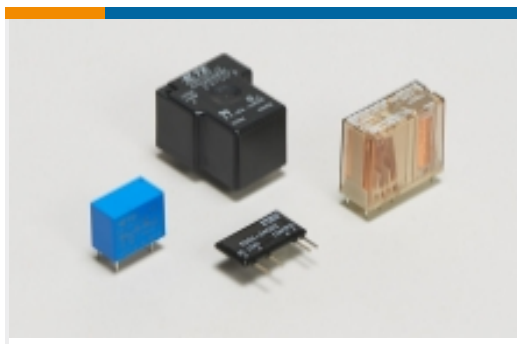
#### Product Compliance Disclaimer

This information is provided based on reasonable inquiry of our suppliers and represents our current actual knowledge based on the information they provided. This information is subject to change. The part numbers that TE has identified as EU RoHS compliant have a maximum concentration of 0.1% by weight in homogenous materials for lead, hexavalent chromium, mercury, PBB, PBDE, DBP, BBP, DEHP, DIBP, and 0.01% for cadmium, or qualify for an exemption to these limits as defined in the Annexes of Directive 2011/65/EU (RoHS2). Finished electrical and electronic equipment products will be CE marked as required by Directive 2011/65/EU. Components may not be CE marked. Additionally, the part numbers that TE has identified as EU ELV compliant have a maximum concentration of 0.1% by weight in homogenous materials for lead, hexavalent chromium, and mercury, and 0.01% for cadmium, or qualify for an exemption to these limits as defined in the Annexes of Directive 2000/53/EC (ELV). Regarding the REACH Regulation, the information TE provides on SVHC in articles for this part number is based on the latest European Chemicals Agency (ECHA) 'Guidance on requirements for substances in articles' posted at this URL: <https://echa.europa.eu/guidance-documents/guidance-on-reach>

### Compatible Parts

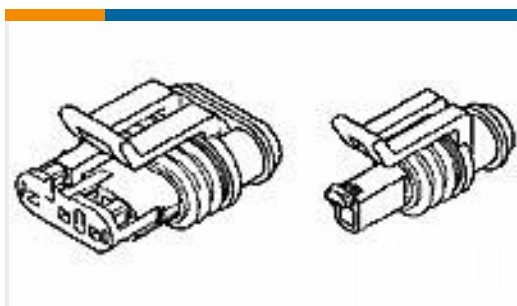
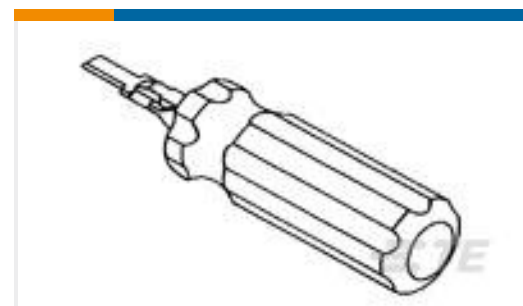
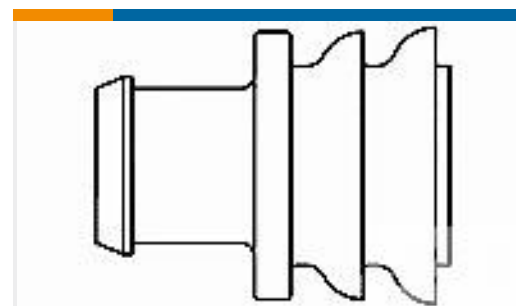


Also in the Series | **SCHRACK SRL7**



Power Relays(4)

## Customers Also Bought

TE Part #206070-8  
CABLE CLAMP KIT #17TE Part #0462-201-20141  
DEUTSCH Solid ContactsTE Part #DT04-2P  
REC, 2P, GRY, NTE Part #W2S  
Wedgelocks: DEUTSCH DTTE Part #282080-1  
AMP SUPERSEAL 1.5 SERIES 2P PLTE Part #305183  
EXTRACT TOOL TYPE 2 20-16TE Part #281934-4  
SINGLE WIRE SEAL

## Documents

### CAD Files

#### 3D PDF

3D

#### Customer View Model

[ENG\\_CVM\\_CVM\\_2045880-6\\_B.2d\\_dxf.zip](#)

English

#### Customer View Model

[ENG\\_CVM\\_CVM\\_2045880-6\\_B.3d\\_igs.zip](#)

English

#### Customer View Model

[ENG\\_CVM\\_CVM\\_2045880-6\\_B.3d\\_stp.zip](#)

English

By downloading the CAD file I accept and agree to the [Terms and Conditions](#) of use.

### Datasheets & Catalog Pages

#### Force Guided Relay SRL7 flyer

English



## Force Guided Relay SRL7

English

---

## Product Specifications

Definitions General Purpose Relays

English

---

## Agency Approvals

VDE Certificate

English