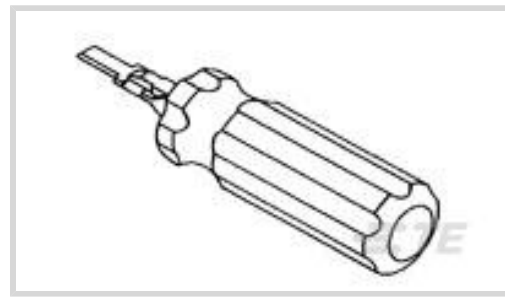




Application Tooling > Insertion & Extraction Tools



Insertion & Extraction Tool Type: **Contact Extraction**

Insertion & Extraction Tool Application: **Contact-to-Housing**

Features

Product Type Features

Insertion & Extraction Tool Type	Contact Extraction
Insertion & Extraction Tool Application	Contact-to-Housing

Product Compliance

[For compliance documentation, visit the product page on TE.com>](#)

EU RoHS Directive 2011/65/EU	Compliant
EU ELV Directive 2000/53/EC	Compliant
China RoHS 2 Directive MIIT Order No 32, 2016	No Restricted Materials Above Threshold
EU REACH Regulation (EC) No. 1907/2006	Current ECHA Candidate List: JUNE 2023 (235) Candidate List Declared Against: JAN 2021 (211) Does not contain REACH SVHC
Halogen Content	Low Halogen - Br, Cl, F, I < 900 ppm per homogenous material. Also BFR/CFR/PVC Free
Solder Process Capability	Not applicable for solder process capability

Product Compliance Disclaimer

This information is provided based on reasonable inquiry of our suppliers and represents our current actual knowledge based on the information they provided. This information is subject to change. The part numbers that TE has identified as EU RoHS compliant have a maximum concentration of 0.1% by weight in homogenous materials for lead, hexavalent chromium, mercury, PBB, PBDE, DBP, BBP, DEHP, DIBP, and 0.01% for cadmium, or qualify for an exemption to these limits as defined in the Annexes of Directive 2011/65/EU (RoHS2). Finished electrical and electronic equipment products will be CE marked as required by Directive 2011/65/EU. Components may not be CE marked. Additionally, the part numbers that TE has identified as EU ELV compliant have a maximum concentration of 0.1% by weight in homogenous materials for lead, hexavalent chromium, and mercury, and 0.01% for cadmium, or qualify for an exemption to these limits as defined in the Annexes of Directive 2000/53/EC (ELV). Regarding the REACH Regulation, the information TE provides on SVHC in articles for this part number is based on the latest European Chemicals Agency (ECHA) 'Guidance on

requirements for substances in articles' posted at this URL: <https://echa.europa.eu/guidance-documents/guidance-on-reach>

Compatible Parts



TE Part # 202422-1
PIN CONT ASSY,TYPE I



TE Part # 202418-1
SKT CONT ASSY,TYPE I

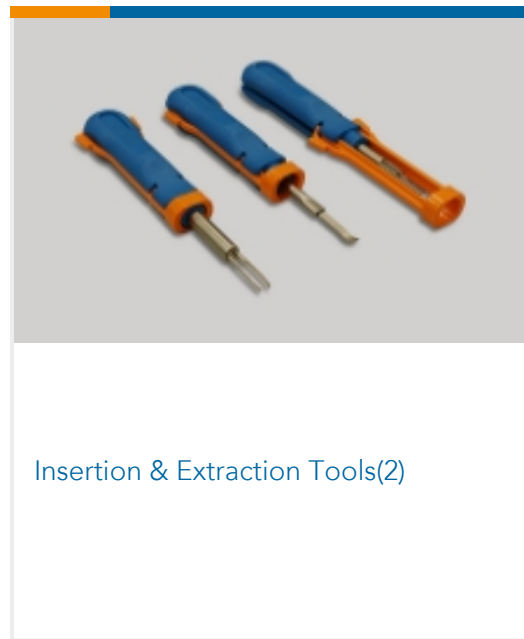


TE Part # 202417-1
SKT CONT ASSY,TYPE I

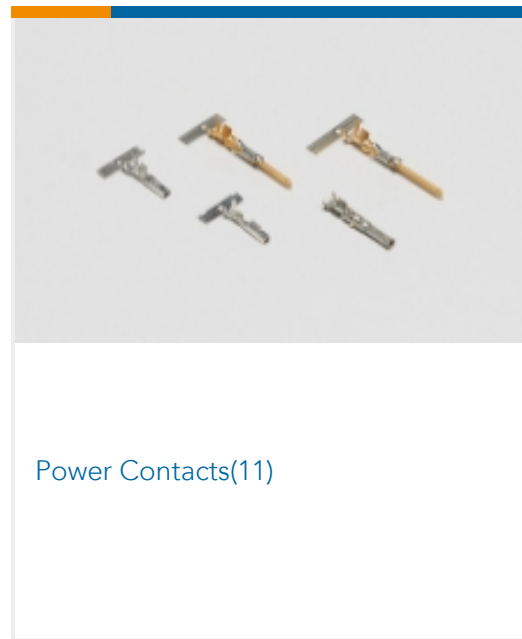


TE Part # 2-1105350-1
KX-RG.59.Sti

Also in the Series | METRIMATE Power VIII



Insertion & Extraction Tools(2)



Power Contacts(11)

Customers Also Bought



TE Part #TAA545B1411-001
M12A4-MS-FS-PVC-0.5M



TE Part #91519-1
CCII TYPE III+ PIN SKT 18-14 ASSY



TE Part #58495-1
PRO CRIMPER ASSY MULTIMATE



TE Part #305183
EXTRACT TOOL TYPE 2 20-16



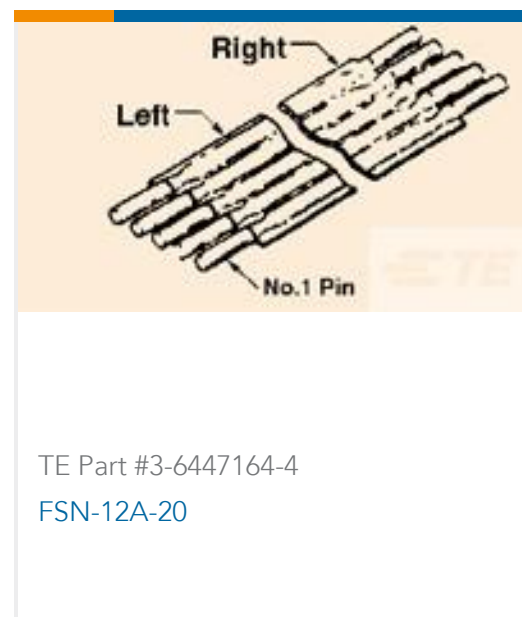
TE Part #202422-1
PIN CONT ASSY,TYPE I



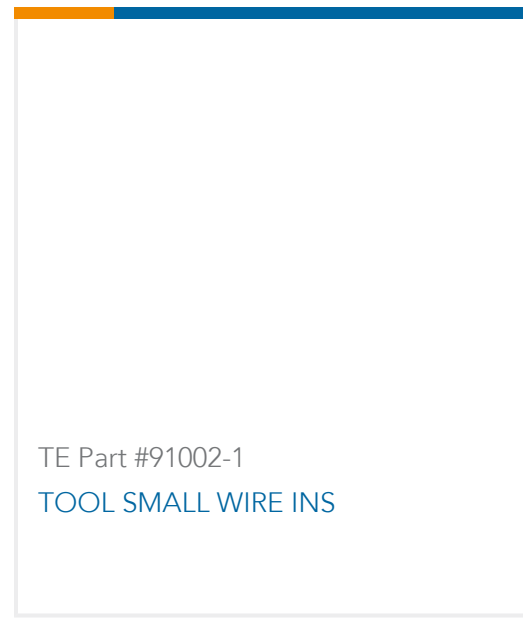
TE Part #T4161320008-004
RPC-M12-FS-8CON-PUR-3.0SH



TE Part #TAD14741311-001
M12D4-MS-MS-PVC TYPE B RED-0.5M



TE Part #3-6447164-4
FSN-12A-20



Documents

Instruction Sheets

[Instruction Sheet \(U.S.\)](#)

English

Agency Approvals

[CSA Certificate](#)

English

[CSA Certificate](#)

English