

5787775-1 ✓ ACTIVE

CHAMP | CHAMP .8 mm Connector

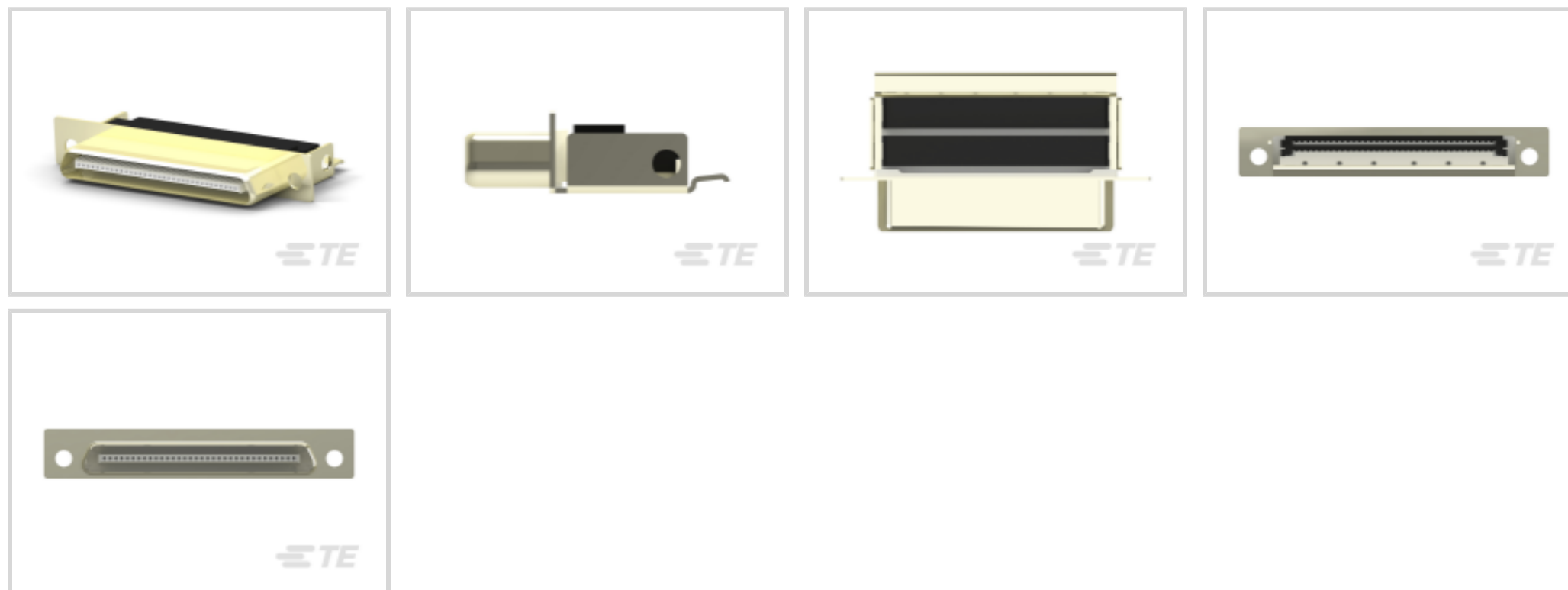
TE Internal #: 5787775-1

Plug, .05 mm² Stranded Wire, 30 AWG Stranded Wire, Shielded, Cable-to-Cable, 68 Position, CHAMP .8 mm Connector, IDC D-Sub Connectors

[View on TE.com >](#)



Connectors > D-Shaped Connectors > D-Sub Connectors > IDC D-Sub Connectors > IDC D-Sub: Connector Kit, Plug, Signal, 0.8 mm



Connector & Housing Type: **Plug**

Stranded Wire Size: **30 AWG**

Shielded: **Yes**

Connector System: **Cable-to-Cable**

[All IDC D-Sub: Connector Kit, Plug, Signal, 0.8 mm \(3\)](#)

Features

Product Type Features

Connector & Housing Type	Plug
Connector System	Cable-to-Cable
Connector Product Type	Connector Kit
Connector & Contact Terminates To	Wire & Cable

Configuration Features

Number of Positions	68
Number of Rows	2
Compatible With Wire & Cable Type	Discrete Wire, Round Jacketed Cable

Body Features

Shell Plating Material	Tin over Copper
Primary Product Color	Natural

Contact Features

Contact Options	Installed
-----------------	-----------

Wire Contact Termination Area Plating Material	Tin
Contact Mating Area Plating Material Thickness	.76 µm[30 µin]
Contact Mating Area Plating Material	Gold
Contact Base Material	Phosphor Bronze
Contact Current Rating (Max)	.3 A, .5 A, 1.5 A

Termination Features

Termination Method to Wire & Cable	Insulation Displacement (IDC)
------------------------------------	-------------------------------

Mechanical Attachment

Connector Mounting Type	Cable Mount (Free-Hanging)
-------------------------	----------------------------

Housing Features

Shell Material	Carbon Steel
Housing Material	LCP (Liquid Crystal Polymer)
Centerline (Pitch)	.8 mm[.031 in]

Dimensions

Compatible Insulation Diameter Range	.56 – .64 mm
Stranded Wire Size	30 AWG

Usage Conditions

Operating Temperature Range	-55 – 85 °C[-67 – 185 °F]
-----------------------------	---------------------------

Operation/Application

Circuit Application	Signal
Shielded	Yes

Industry Standards

UL Flammability Rating	UL 94V-0
------------------------	----------

Packaging Features

Packaging Quantity	1
Packaging Method	Package

Product Compliance

[For compliance documentation, visit the product page on TE.com>](#)

EU RoHS Directive 2011/65/EU	Compliant
EU ELV Directive 2000/53/EC	Compliant
China RoHS 2 Directive MIIT Order No 32, 2016	No Restricted Materials Above Threshold



EU REACH Regulation (EC) No. 1907/2006

Current ECHA Candidate List: JUNE 2024 (241)

Candidate List Declared Against: JUNE 2024 (241)

Does not contain REACH SVHC

Halogen Content

Low Halogen - Br, Cl, F, I < 900 ppm per homogenous material. Also BFR/CFR/PVC Free

Solder Process Capability

Not applicable for solder process capability

Product Compliance Disclaimer

This information is provided based on reasonable inquiry of our suppliers and represents our current actual knowledge based on the information they provided. This information is subject to change. The part numbers that TE has identified as EU RoHS compliant have a maximum concentration of 0.1% by weight in homogenous materials for lead, hexavalent chromium, mercury, PBB, PBDE, DBP, BBP, DEHP, DIBP, and 0.01% for cadmium, or qualify for an exemption to these limits as defined in the Annexes of Directive 2011/65/EU (RoHS2). Finished electrical and electronic equipment products will be CE marked as required by Directive 2011/65/EU. Components may not be CE marked. Additionally, the part numbers that TE has identified as EU ELV compliant have a maximum concentration of 0.1% by weight in homogenous materials for lead, hexavalent chromium, and mercury, and 0.01% for cadmium, or qualify for an exemption to these limits as defined in the Annexes of Directive 2000/53/EC (ELV). Regarding the REACH Regulation, the information TE provides on SVHC in articles for this part number is based on the latest European Chemicals Agency (ECHA) 'Guidance on requirements for substances in articles' posted at this URL: <https://echa.europa.eu/guidance-documents/guidance-on-reach>

Compatible Parts



TE Part # CAT-469-D650155
IDC D-Sub: Connector Kit, Plug, Signal, 0.8 mm



TE Part # CAT-469-DRSC9008
D-Sub Receptacle Stacked Assembly: Right Angle, 0.8mm



TE Part # 5796055-1
68 CHAMP R/A ASSY,LC



TE Part # 6658751-1
.8MM CHAMP, 50 POS, RCPT ASSY



TE Part # 787229-1
68 .8MM CHAMP BACKSHELL KIT



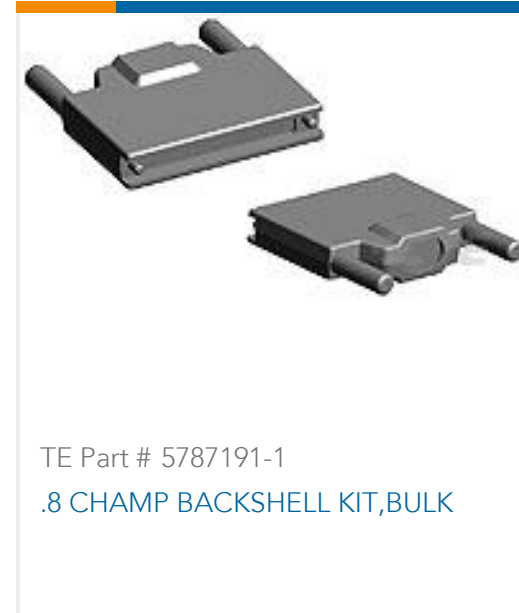
TE Part # 5787973-1
36 .8MM CHAMP RCPT ASSY



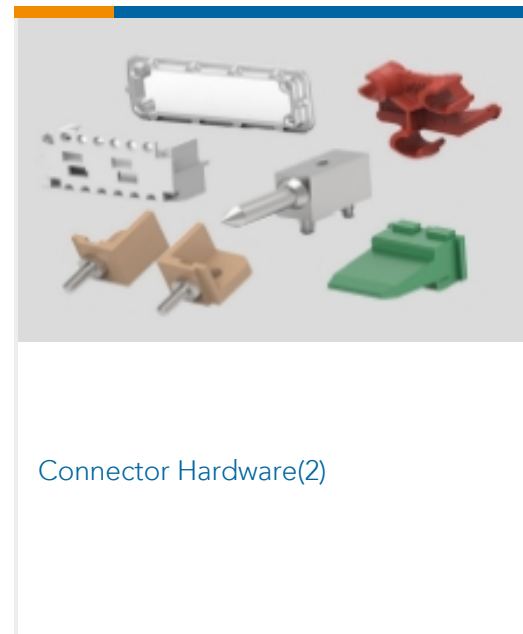
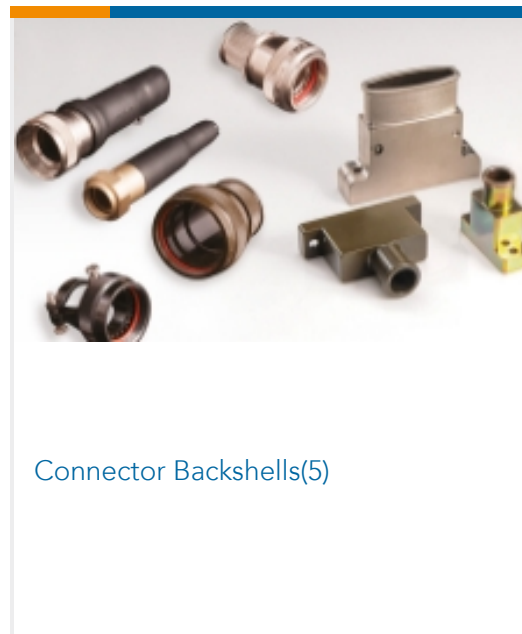
TE Part # 5796055-2
68 CHAMP R/A ASSY,LC



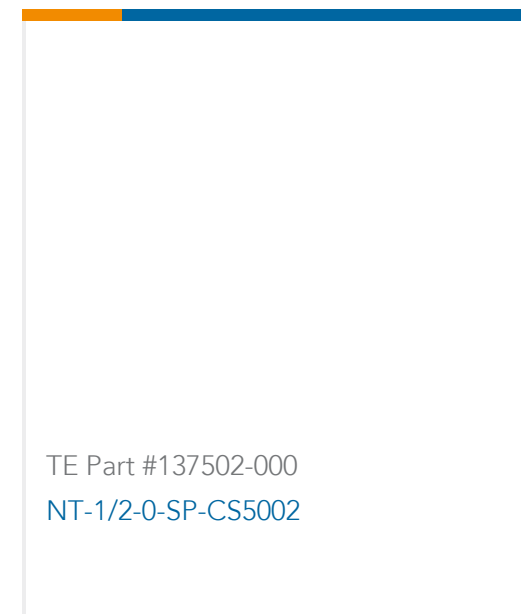
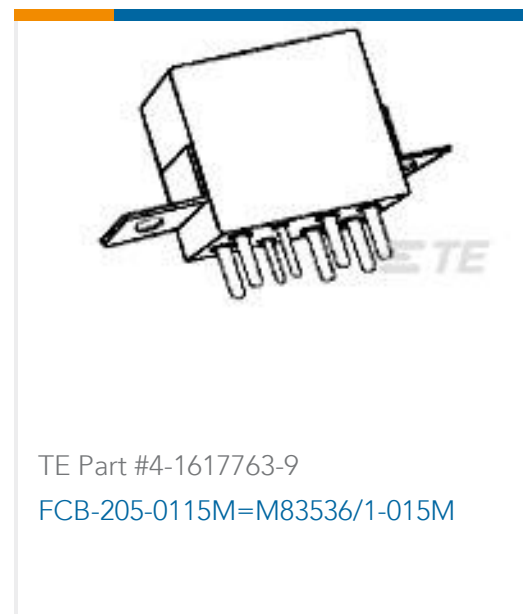
TE Part # 787003-3
.8MM LATCHING POST,BRDMT,BULK



Also in the Series | CHAMP .8 mm Connector



Customers Also Bought





Documents

Product Drawings

68 .8MM CHAMP OFFSET CBL KIT

English

CAD Files

Customer View Model

[ENG_CVM_CVM_5787775-1_O.2d_dxf.zip](#)

English

3D PDF

3D

Customer View Model

[ENG_CVM_CVM_5787775-1_O.3d_igs.zip](#)

English

Customer View Model

[ENG_CVM_CVM_5787775-1_O.3d_stp.zip](#)

English

By downloading the CAD file I accept and agree to the [Terms and Conditions](#) of use.

Product Specifications

Application Specification

English

Instruction Sheets

Instruction Sheet (U.S.)

English

Instruction Sheet (U.S.)

English

Mass Termination Tooling Assembly 543580-1 & Cutter Subassembly 543610

English