



Relays, Contactors & Switches > Contactors > Mil-Aero Contactors > DC Contactors



DC Contactor Contact Arrangement: **1 Form X, SPST-NO DM**

Wire Size: **.34 mm²**

DC Contactor Contact Current Rating: **500 A**

Coil Voltage (Max): **24 VDC**

Features

Product Type Features

Product Classification	Relays - Contactors
Product Type	Contactor
Product Category	Electromechanical Relays
Contactor Type	Sealed
Terminal Configuration	10-32 Stud

Configuration Features

Auxiliary Switch Contact Arrangement	None
--------------------------------------	------

Electrical Characteristics

Actuating System	DC
Coil Voltage (Max)	24 VDC
DC Contactor Coil Resistance	145 Ω
DC Contactor Coil Voltage Rating	24 VDC
DC Contactor Contact Switching Voltage (Max)	900 VDC

Contact Features

DC Contactor Contact Arrangement	1 Form X, SPST-NO DM
DC Contactor Contact Current Rating	500 A
Pole Configuration	1

Termination Features



Coil Termination	Wire
------------------	------

Mechanical Attachment

DC Contactor Mounting Type	Side Mount
----------------------------	------------

Dimensions

Coil Wire Length	390 mm[15.3 in]
------------------	-----------------

Wire Size	.34 mm ²
-----------	---------------------

Packaging Features

Packaging Method	Individual
------------------	------------

Other

Torque	80 – 100 in-lbs
--------	-----------------

Product Compliance

[For compliance documentation, visit the product page on TE.com>](#)

EU RoHS Directive 2011/65/EU	Compliant with Exemptions
------------------------------	---------------------------

EU ELV Directive 2000/53/EC	Compliant
-----------------------------	-----------

China RoHS 2 Directive MIIT Order No 32, 2016	Restricted Materials Above Threshold
---	--------------------------------------

EU REACH Regulation (EC) No. 1907/2006	Current ECHA Candidate List: JUNE 2023 (235) Candidate List Declared Against: JUL 2021 (219) Does not contain REACH SVHC
--	--

Halogen Content	Low Halogen - Br, Cl, F, I < 900 ppm per homogenous material. Also BFR/CFR/PVC Free
-----------------	---

Solder Process Capability	Hand solderable with lead free solder
---------------------------	---------------------------------------

Product Compliance Disclaimer

This information is provided based on reasonable inquiry of our suppliers and represents our current actual knowledge based on the information they provided. This information is subject to change. The part numbers that TE has identified as EU RoHS compliant have a maximum concentration of 0.1% by weight in homogenous materials for lead, hexavalent chromium, mercury, PBB, PBDE, DBP, BBP, DEHP, DIBP, and 0.01% for cadmium, or qualify for an exemption to these limits as defined in the Annexes of Directive 2011/65/EU (RoHS2). Finished electrical and electronic equipment products will be CE marked as required by Directive 2011/65/EU. Components may not be CE marked. Additionally, the part numbers that TE has identified as EU ELV compliant have a maximum concentration of 0.1% by weight in homogenous materials for lead, hexavalent chromium, and mercury, and 0.01% for cadmium, or qualify for an exemption to these limits as defined in the Annexes of Directive 2000/53/EC (ELV). Regarding the REACH Regulation, the information TE provides on SVHC in articles for this part number is based on the latest European Chemicals Agency (ECHA) 'Guidance on requirements for substances in articles' posted at this URL: <https://echa.europa.eu/guidance-documents/guidance-on-reach>

Compatible Parts



TE Part # 8-1618401-9
LEV200L5ANF=Contactor, SPST-NO w /aux



TE Part # 7-1618387-1
LEV200A5ANA=RELAY, SPST-NO



TE Part # 5-1618388-7
LEV200A6ANF=RELAY, SPST-NO

Also in the Series | Kilovac LEV200



DC Contactors(15)



Definite Purpose Contactors(1)



General Purpose Contactors(4)



High Voltage Relays(13)

Customers Also Bought



TE Part #1-1393118-4
KUP-14D15-24=KU-



TE Part #1734035-1
MINI USB, TYPE B, R/A, SMT



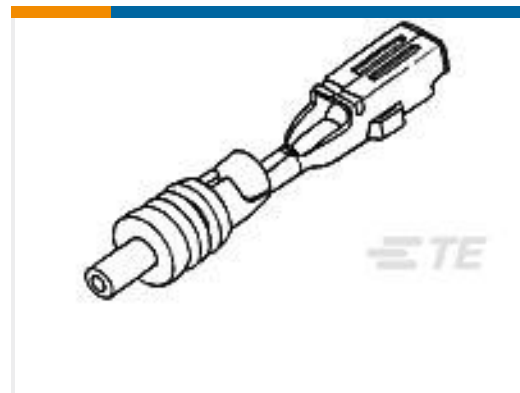
TE Part #177619-1
AMPLIMITE SCREW LOCK



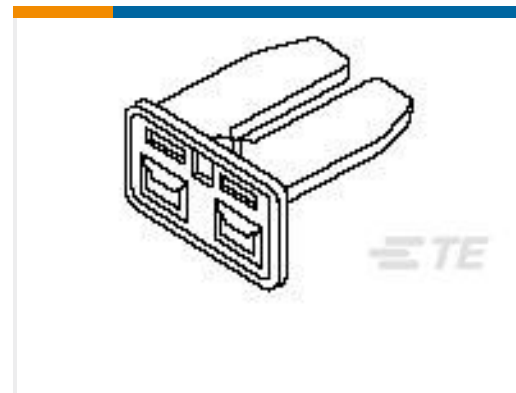
TE Part #2267072-4
PMS9P1B10M2QE



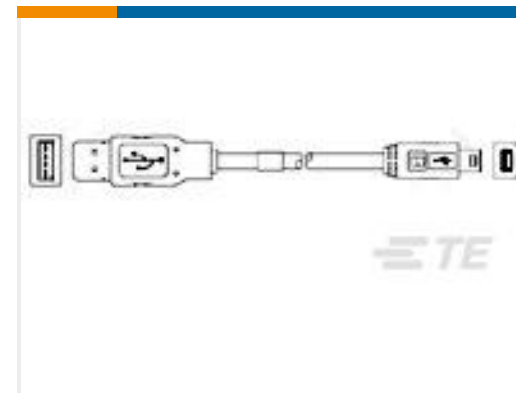
TE Part #2822390-1
070 ECONOSEAL MARK-2 PLUG 3P BLACK



TE Part #171662-1
E-J MK-2 070 REC CONT



TE Part #174358-7
070 ECONOSEAL MARK-2 P/PLUG 3P



TE Part #1487588-1
USB, A-B, 28/24, WHITE, 2.0M

Documents

[CAD Files](#)

[3D PDF](#)

[3D](#)

[Customer View Model](#)

[ENG_CVM_CVM_7-1618387-2_D.2d_dxf.zip](#)



English

Customer View Model

[ENG_CVM_CVM_7-1618387-2_D.3d_igs.zip](#)

English

Customer View Model

[ENG_CVM_CVM_7-1618387-2_D.3d_stp.zip](#)

English

By downloading the CAD file I accept and agree to the [Terms and Conditions](#) of use.

Datasheets & Catalog Pages

[5-1773450-5_sec7_LEV200](#)

English