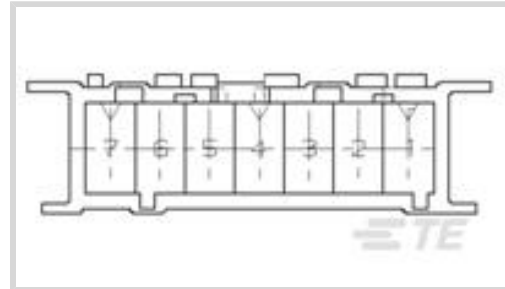




Terminals & Splices > Terminal Housings, Insulation Sleeves & Blocks > Crimp Terminal Housings



Terminal Type: **Tab**

Connector & Housing Type: **Tab Housing**

Number of Positions: **7**

Terminal Orientation: **Straight**

UL Flammability Rating: **UL 94V-2**

Features

Product Type Features

| | |
|--------------------------|-------------|
| Sealable | No |
| Connector & Housing Type | Tab Housing |

Configuration Features

| | |
|---------------------|---|
| Number of Positions | 7 |
|---------------------|---|

Body Features

| | |
|-------------------------|---------|
| Connector & Keying Code | C |
| Primary Product Color | Natural |

Contact Features

| | |
|--------------------------|----------|
| Terminal Type | Tab |
| Terminal Orientation | Straight |
| Contact Mating Retention | With |

Mechanical Attachment

| | |
|-------------------------|---------------|
| Mating Alignment Type | Polarization |
| Mating Retention Type | Locking Lance |
| Mating Alignment | With |
| Connector Mounting Type | Panel Mount |

Housing Features

| | |
|------------------|-----------|
| Housing Material | Polyamide |
|------------------|-----------|



| | |
|--------------------|---------------|
| Centerline (Pitch) | 5 mm[.196 in] |
|--------------------|---------------|

Dimensions

| | |
|----------------|---------------|
| Product Length | 33 mm[1.3 in] |
|----------------|---------------|

Usage Conditions

| | |
|-----------------------------|----------------------------|
| Operating Temperature Range | -40 – 105 °C[-40 – 221 °F] |
|-----------------------------|----------------------------|

Industry Standards

| | |
|------------------------|----------|
| UL Flammability Rating | UL 94V-2 |
|------------------------|----------|

Packaging Features

| | |
|--------------------|-----|
| Packaging Quantity | 750 |
|--------------------|-----|

Product Compliance

[For compliance documentation, visit the product page on TE.com>](#)

| | |
|------------------------------|-----------|
| EU RoHS Directive 2011/65/EU | Compliant |
|------------------------------|-----------|

| | |
|-----------------------------|-----------|
| EU ELV Directive 2000/53/EC | Compliant |
|-----------------------------|-----------|

| | |
|---|---|
| China RoHS 2 Directive MIIT Order No 32, 2016 | No Restricted Materials Above Threshold |
|---|---|

| | |
|--|---|
| EU REACH Regulation (EC) No. 1907/2006 | Current ECHA Candidate List: JUNE 2023 (235) Candidate List Declared Against: JUNE 2023 (235) Does not contain REACH SVHC |
|--|---|

| | |
|-----------------|---|
| Halogen Content | Low Halogen - Br, Cl, F, I < 900 ppm per homogenous material. Also BFR/CFR/PVC Free |
|-----------------|---|

| | |
|---------------------------|--|
| Solder Process Capability | Not applicable for solder process capability |
|---------------------------|--|

Product Compliance Disclaimer

This information is provided based on reasonable inquiry of our suppliers and represents our current actual knowledge based on the information they provided. This information is subject to change. The part numbers that TE has identified as EU RoHS compliant have a maximum concentration of 0.1% by weight in homogenous materials for lead, hexavalent chromium, mercury, PBB, PBDE, DBP, BBP, DEHP, DIBP, and 0.01% for cadmium, or qualify for an exemption to these limits as defined in the Annexes of Directive 2011/65/EU (RoHS2). Finished electrical and electronic equipment products will be CE marked as required by Directive 2011/65/EU. Components may not be CE marked. Additionally, the part numbers that TE has identified as EU ELV compliant have a maximum concentration of 0.1% by weight in homogenous materials for lead, hexavalent chromium, and mercury, and 0.01% for cadmium, or qualify for an exemption to these limits as defined in the Annexes of Directive 2000/53/EC (ELV). Regarding the REACH Regulation, the information TE provides on SVHC in articles for this part number is based on the latest European Chemicals Agency (ECHA) 'Guidance on requirements for substances in articles' posted at this URL: <https://echa.europa.eu/guidance-documents/guidance-on-reach>

Compatible Parts



TE Part # 293034-3
7 POSITION FASTIN FASTON TAB HOUSING (PA)



TE Part # 1241857-5
5 POS FASTIN/ON HOUSING PANEL MOUNT



TE Part # 928309-8
8P FF FLACHST GEH



TE Part # 293011-1
5 POS. FASTIN-FASTON CONN. TAB HOUSING R



TE Part # 284985-1
7 POS. FASTIN-FASTON CONN. TAB HSG, RAST



TE Part # 284986-1
8 POS. FASTIN-FASTON CONN. TAB HSG, RAST



TE Part # 2-927742-7
NO DESCRIPTION



TE Part # 293034-1
7 POSITION FASTIN FASTON TAB HOUSING (PA)



TE Part # 293043-1
8POS. FASTIN-FASTON, TAB HOUSING RAST5



TE Part # 293161-1
5 POS. FASTIN-FASTON* TAB HSG, RAST5



TE Part # 293267-1
7 POS. FASTIN-FASTON+ TAB HOUSING RAST 5

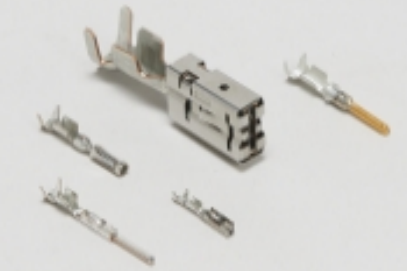


TE Part # 5-1241967-7
7POS. FASTIN-FASTON* TAB HSG, RAST5




TE Part # 927742-7
7P FF FLACHSTGH6,3

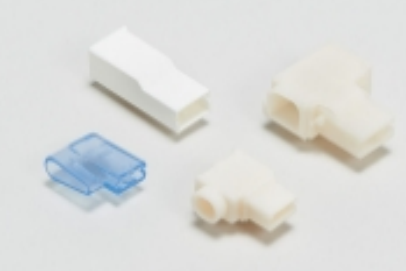
Also in the Series | **RAST 5 IDC Connectors**




Automotive Terminals(8)



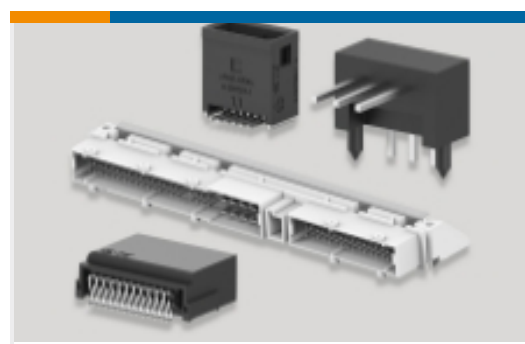
Connector Contacts(12)



Crimp Terminal Housings(41)



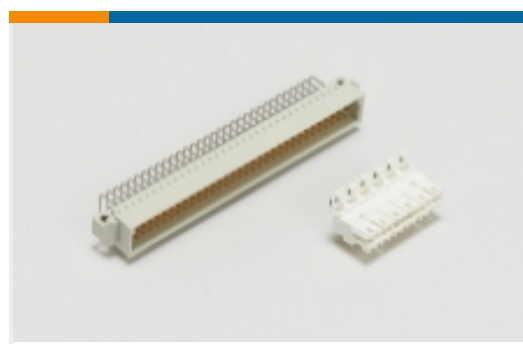
Insertion & Extraction Tools(1)



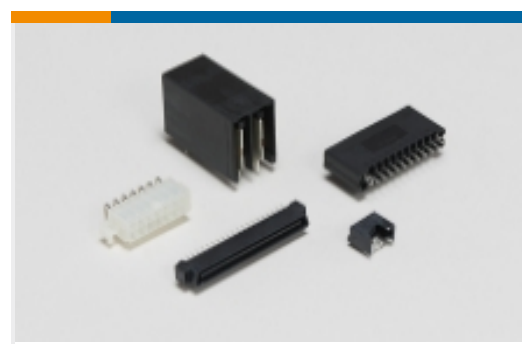
PCB Headers & Receptacles(417)



Rectangular Connector Housings(1)



Standard Edge Connectors(34)



Standard Rectangular Connectors(68)



Wire-to-Board Connector Assemblies & Housings(214)



Wire-to-Board Connector Contacts(2)

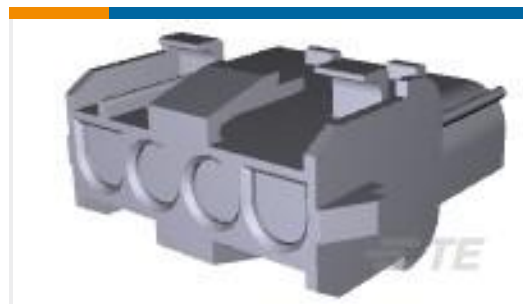
Customers Also Bought



TE Part #42863-2
RING CRIMP 12-10 AWG TPBR



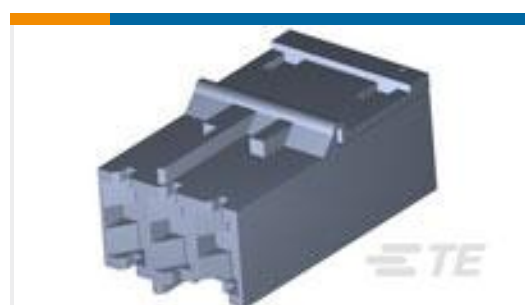
TE Part #172128-1
FF 250 REC HSG 1P NYLON NAT



TE Part #926305-7
4P UNIV M-N-L CAP



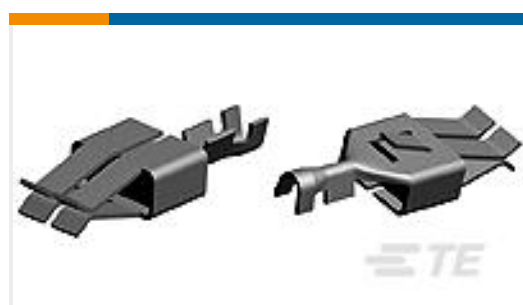
TE Part #1241981-4
STD TIMER HOUSING 4P (NATURE)



TE Part #2-1241981-3
STD TIMER HOUSING 3P (NATURE)



TE Part #1-480704-1
06P UMNL PLUG HSG BRN



TE Part #926984-2
STD TIMER CONTACT

Documents

[Product Drawings](#)
[7P FF FLACHST GEH](#)

English

CAD Files

[3D PDF](#)

[3D](#)

[Customer View Model](#)

[ENG_CVM_CVM_928309-7_O.2d_dxf.zip](#)



English

Customer View Model

[ENG_CVM_CVM_928309-7_O.3d_igs.zip](#)

English

Customer View Model

[ENG_CVM_CVM_928309-7_O.3d_stp.zip](#)

English

By downloading the CAD file I accept and agree to the [Terms and Conditions](#) of use.

Datasheets & Catalog Pages

[FASTIN_FASTON_Product_Line](#)

English

Product Environmental Compliance

[Product Compliance](#)

English

[Product Compliance](#)

English