



RAYCHEM

TE Internal #: EH3270-000

Black, 2:1, Single Wall Tubing, Shrinks To 1.181 in [30 mm], Elastomer, 1.969 in [50 mm] Inner Diameter, Highly Flame-Retardant, Spool, -75 – 150 °C

[View on TE.com >](#)

Heat Shrink Tubing > Single Wall ZH 150: Heat Shrink Tubing, 2:1 Shrink Ratio



Primary Product Color: **Black**

Wall Type: **Single Wall**

Expanded Inside Diameter (Min): **50 mm [ 1.969 in ]**

Recovered Inside Diameter (Max): **30 mm [ 1.181 in ]**

Shrink Ratio: **2:1**

[All Single Wall ZH 150: Heat Shrink Tubing, 2:1 Shrink Ratio \(8\)](#)

## Features

### Product Type Features

Wall Type	Single Wall
-----------	-------------

### Body Features

Material Systems Code	100, 25
Primary Product Color	Black
Shrink Ratio	2:1
Primary Product Material	Elastomer
Flexibility	Flexible

### Dimensions

Expanded Inside Diameter (Min)	50 mm[1.969 in]
Recovered Inside Diameter (Max)	30 mm[1.181 in]
Tubing Size Range	30 – 50 mm[1.181 – 1.969 in]

### Usage Conditions

Tubing Flammability Type	Highly Flame-Retardant
Operating Temperature Range	-75 – 150 °C
Recovery Temperature	175 °C

### Operation/Application



Mechanical Resistance	Fluids
-----------------------	--------

### Packaging Features

Packaging Method	Spool
------------------	-------

### Other

Meets Low Outgassing Requirements	No
-----------------------------------	----

Product Source	Czech Republic
----------------	----------------

### Product Compliance

[For compliance documentation, visit the product page on TE.com>](#)

EU RoHS Directive 2011/65/EU	Compliant
------------------------------	-----------

EU ELV Directive 2000/53/EC	Compliant
-----------------------------	-----------

China RoHS 2 Directive MIIT Order No 32, 2016	No Restricted Materials Above Threshold
-----------------------------------------------	-----------------------------------------

EU REACH Regulation (EC) No. 1907/2006	Current ECHA Candidate List: JUNE 2023 (235) Candidate List Declared Against: JUNE 2023 (235) Does not contain REACH SVHC
----------------------------------------	---------------------------------------------------------------------------------------------------------------------------------

Halogen Content	Low Halogen - Br, Cl, F, I < 900 ppm per homogenous material. Also BFR/CFR/PVC Free
-----------------	-------------------------------------------------------------------------------------

Solder Process Capability	Not applicable for solder process capability
---------------------------	----------------------------------------------

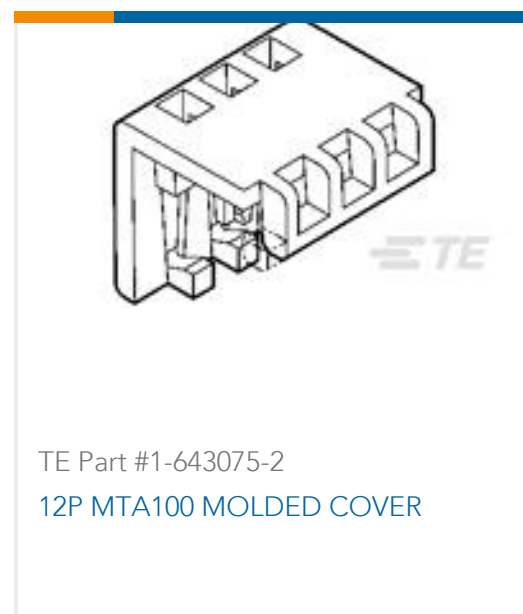
#### Product Compliance Disclaimer

This information is provided based on reasonable inquiry of our suppliers and represents our current actual knowledge based on the information they provided. This information is subject to change. The part numbers that TE has identified as EU RoHS compliant have a maximum concentration of 0.1% by weight in homogenous materials for lead, hexavalent chromium, mercury, PBB, PBDE, DBP, BBP, DEHP, DIBP, and 0.01% for cadmium, or qualify for an exemption to these limits as defined in the Annexes of Directive 2011/65/EU (RoHS2). Finished electrical and electronic equipment products will be CE marked as required by Directive 2011/65/EU. Components may not be CE marked. Additionally, the part numbers that TE has identified as EU ELV compliant have a maximum concentration of 0.1% by weight in homogenous materials for lead, hexavalent chromium, and mercury, and 0.01% for cadmium, or qualify for an exemption to these limits as defined in the Annexes of Directive 2000/53/EC (ELV). Regarding the REACH Regulation, the information TE provides on SVHC in articles for this part number is based on the latest European Chemicals Agency (ECHA) 'Guidance on requirements for substances in articles' posted at this URL: <https://echa.europa.eu/guidance-documents/guidance-on-reach>

### Customers Also Bought



TE Part #3-644042-3  
03P MTA100 CONN ASSY LF



TE Part #1-643075-2  
12P MTA100 MOLDED COVER



TE Part #4-641191-2  
12P MTA100 CONN ASSY WHT LF



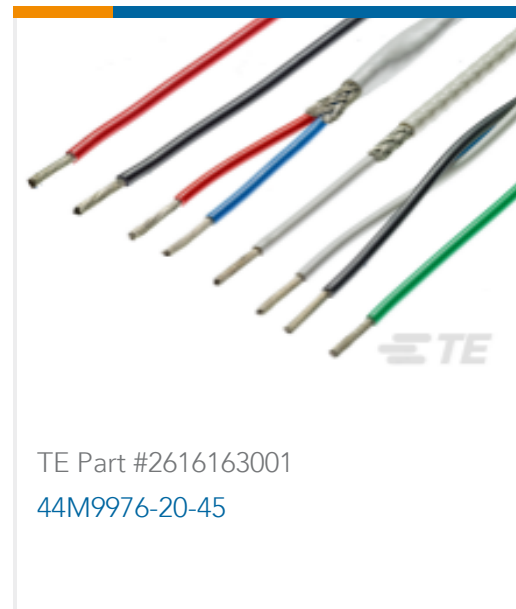
TE Part #61119-2  
PIN RECPT .058 R/A PTPPHBZ



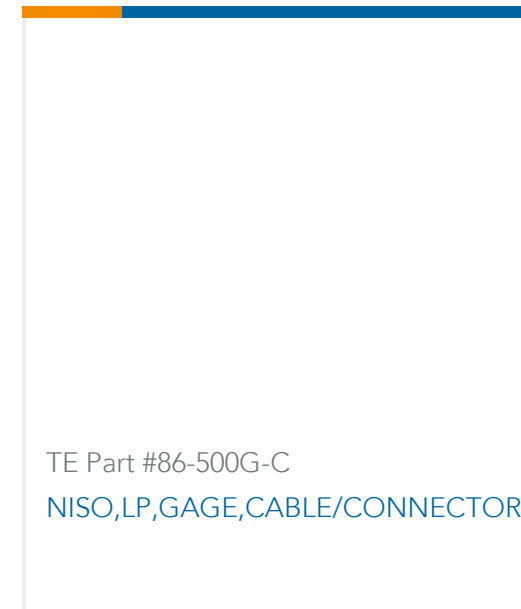
TE Part #2-2176092-3  
RP 2A 0.25W 1K15 0.1% 25PPM 1K RL



TE Part #323985  
TERMINAL,PIDG R 24-20 4



TE Part #2616163001  
44M9976-20-45



TE Part #86-500G-C  
NISO,LP,GAGE,CABLE/CONNECTOR

## Documents

### Product Drawings

[ZH150-50/30-0-SP](#)

English

### Datasheets & Catalog Pages

[raychem-tubing-product-selection-guide](#)

English

[1654025\\_Sec3\\_ZH-100](#)

English

### Product Specifications

[Installation instructions for ZH150 tubing](#)

English

### Product Environmental Compliance

[Safety Datasheet](#)

English

[Safety Datasheet](#)

French

[Safety Datasheet](#)

German

[Safety Datasheet](#)

[Safety Datasheet](#)

English

[Safety Datasheet](#)

[Safety Datasheet](#)



French

[Safety Datasheet](#)

[Safety Datasheet](#)

[Safety Datasheet](#)

[Safety Datasheet](#)

[Safety Datasheet](#)

English

[Safety Datasheet](#)

English