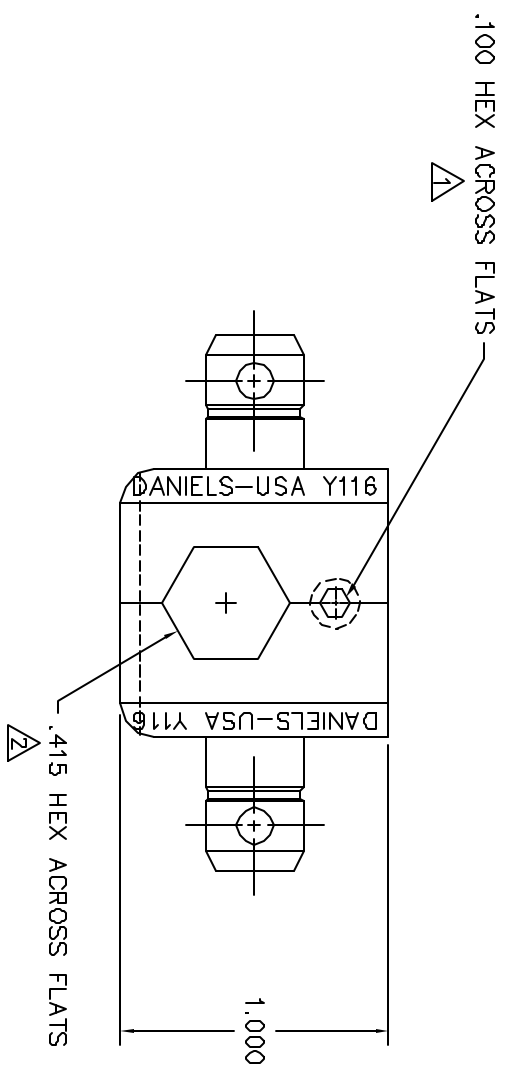
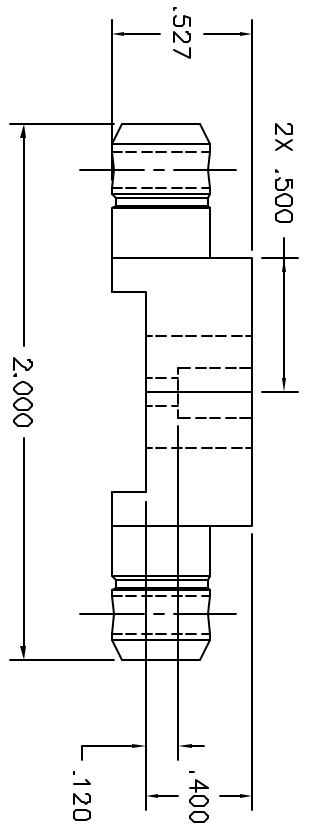


REVISIONS				
REV. SYM.	E.C.O. NUMBER	DESCRIPTION	BY DATE	APPR'D DATE
1		ORIGINAL RELEASE	12-4-88	DE 12-88



**UNCONTROLLED DOCUMENT
WILL NOT BE UPDATED**

- △ USE GAGE G649.
 - △ USE GAGE G208.
- NOTES:

RESTRICTED & CONFIDENTIAL INDUSTRIAL PROPERTY OF DANIELS MANUFACTURING CORP. NOT TO BE DISCLOSED TO OTHERS, REPRODUCED OR USED FOR ANY OTHER PURPOSE, EXCEPT AS AUTHORIZED IN WRITING BY DANIELS MANUFACTURING CORP. ON COMPLETION OF ORDER OR OTHER PURCHASE FOR WHICH SENT.		MATERIAL		ITEM		PART NO.		QTY.		DESCRIPTION/REMARKS	
HEAT TREAT		FINISH		DANIELS-USA Y116		DANIELS-USA Y116		1		DIE SET ENVELOPE DRAWING	
DATE		DATE		DATE		DATE		DATE		DATE	
12-4-88		12-4-88		12-4-88		12-4-88		12-4-88		12-4-88	
DE		DE		DE		DE		DE		DE	
APPR'D.		APPR'D.		APPR'D.		APPR'D.		APPR'D.		APPR'D.	
DATE		DATE		DATE		DATE		DATE		DATE	
12-4-88		12-4-88		12-4-88		12-4-88		12-4-88		12-4-88	
WHERE USED		SIZE		SCALE		DWD FILE NO.		SHEET		OF	
DIE SET ENVELOPE DRAWING		B		ZX		Y116-ENV		1		1	
POSTING		P/N		Y116-ENV		REV.		1		1	