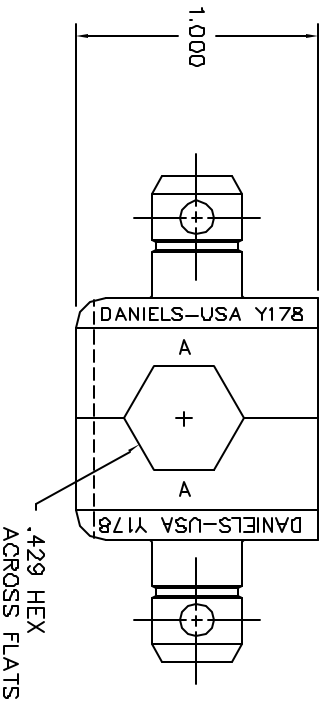
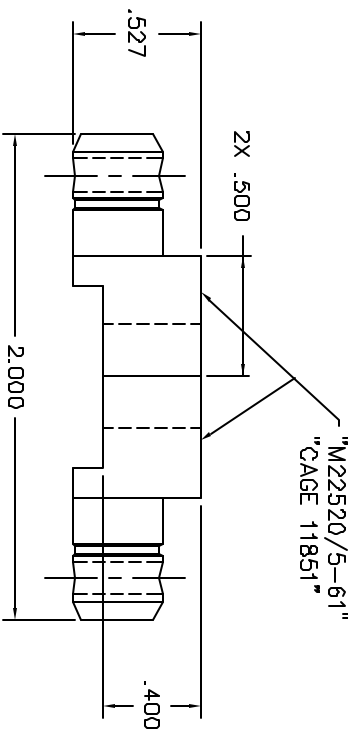


REVISIONS			
REV. NUMBER	ECO#	DESCRIPTION	BY DATE DATE
1		ORIGINAL RELEASE	9/27/99 9/27/99



UNCONTROLLED DOCUMENT
WILL NOT BE UPDATED

RESTRICTED & CONFIDENTIAL		MATERIAL		ITEM		PART NO.		QTY.		DESCRIPTION/REMARKS	
CONFIDENTIAL PROPERTY OF DANIELS MANUFACTURING CORP. NOT TO BE REPRODUCED OR TRANSMITTED IN ANY FORM OR BY ANY MEANS, ELECTRONIC OR MECHANICAL, INCLUDING PHOTOCOPYING, RECORDING, OR BY ANY INFORMATION STORAGE AND RETRIEVAL SYSTEM, WITHOUT PERMISSION IN WRITING FROM DANIELS MANUFACTURING CORP. ALL RIGHTS RESERVED. THIS DRAWING IS THE PROPERTY OF DANIELS MANUFACTURING CORP. AND IS LOANED TO YOU FOR YOUR USE ONLY. IT IS NOT TO BE REPRODUCED OR TRANSMITTED IN ANY FORM OR BY ANY MEANS, ELECTRONIC OR MECHANICAL, INCLUDING PHOTOCOPYING, RECORDING, OR BY ANY INFORMATION STORAGE AND RETRIEVAL SYSTEM, WITHOUT PERMISSION IN WRITING FROM DANIELS MANUFACTURING CORP. ALL RIGHTS RESERVED.		HEAT TREAT		DRAWN BY J. JOYCE		DATE 02/27/99		TITLE DIE SET (M22520/5-61) ENVELOPE DRAWING		DANIELS MANUFACTURING CORP. ORLANDO, FLORIDA CAGE 11851	
DO NOT SCALE DRAWING		FINISH		CHECKED BY RRR		DATE 02/27/99		WHERE USED SIZE B SCALE 2/1		CVD P/N Y178-ENV	
				APPROVED BY		DATE		SHEET 1 OF 1		REV 1	
								P/N Y178-ENV			