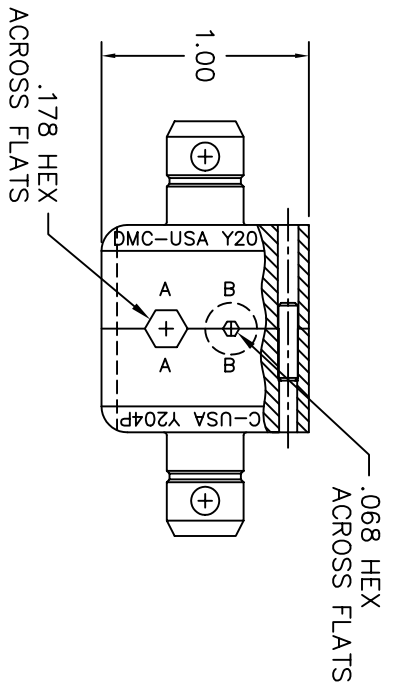
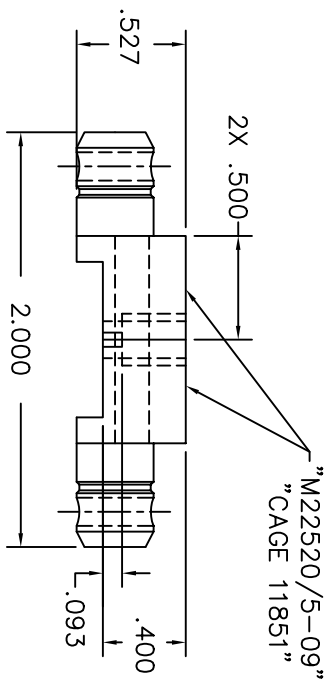


REVISIONS				
REV. NUMBER	E.C.O. NUMBER	DESCRIPTION	BY DATE	APP'D DATE
1		ORIGINAL RELEASE	7/10/98	7/98



**UNCONTROLLED DOCUMENT
WILL NOT BE UPDATED**

RESTRICTED & CONFIDENTIAL		MATERIAL		ITEM		PART NO.		QTY.		DESCRIPTION/REMARKS	
CONFIDENTIAL PROPERTY OF DANIELS MANUFACTURING CORP. NOT TO BE DISCLOSED TO OTHERS, REPRODUCED OR USED FOR ANY OTHER PURPOSE, EXCEPT AS AUTHORIZED IN WRITING BY DANIELS MANUFACTURING. DANIELS MANUFACTURING CORP. ON COMPLETION OF ORDER OR OTHER PURPOSE FOR WHICH SENT.		HEAT TREAT		DRN.	DATE	B. KILPATRICK	7-15-98			DMC DANIELS MANUFACTURING CORP. ORLANDO, FLORIDA FSC# 11851	
DO NOT SCALE DRAWING		FINISH		CHK'D.	DATE	DE	7-98				
				APP'D.	DATE						
				APP'D.	DATE					NOTE: THIS DRAWING IS AN OUTLINE DRAWING OF THE RESPECTIVE DMC PART NUMBER INDICATED. ACTUAL DMC PART NUMBER IS DRAWING NUMBER WITHOUT THE "-ENV" SUFFIX.	
				WHERE USED:		DIE SET ENVELOPE DRAWING		CAD FILE NO. Y204P-ENV		SHEET OF 1	
				POSTING		DMG. NO. Y204P-ENV				REV. 1	