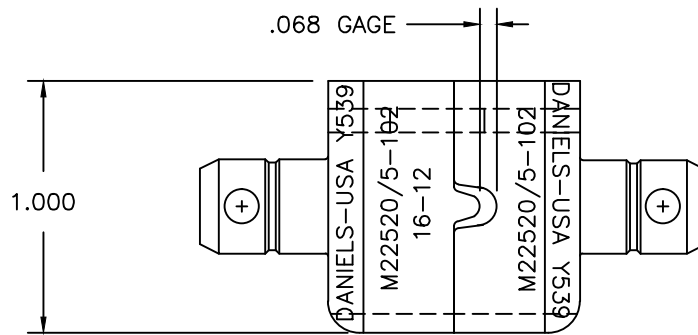
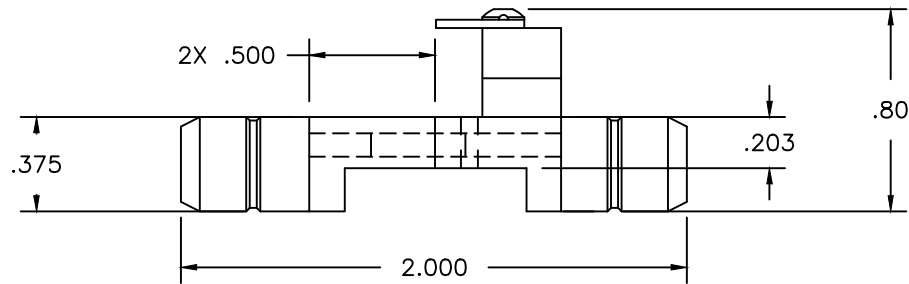


| REVISIONS | | | | |
|-----------|---------------|------------------|-----------------|-----------------|
| REV. SYM. | E.C.O. NUMBER | DESCRIPTION | BY DATE | APP'D DATE |
| 1 | | ORIGINAL RELEASE | JWJ 11/13/99 | RRR 11/13/99 |
| 2 | | ADDED GAGE INFO | ENF 7/16/13 | RRR 7/16/13 |



1. USE G264 TO VERIFY GAGE DIMENSION

**UNCONTROLLED DOCUMENT
WILL NOT BE UPDATED**

| | | | | | | | | | |
|---|--|------------|--|---|----------|-------------|--|----|---|
| RESTRICTED & CONFIDENTIAL | | MATERIAL | | ITEM | PART NO. | QTY. | DESCRIPTION/REMARKS | | |
| CONFIDENTIAL PROPERTY OF DANIELS MANUFACTURING CORP. NOT TO BE DISCLOSED TO OTHERS, REPRODUCED OR USED FOR ANY OTHER PURPOSE, EXCEPT AS AUTHORIZED IN WRITING BY DANIELS MANUFACTURING. MUST BE RETURNED TO DANIELS MANUFACTURING CORP. ON COMPLETION OF ORDER OR OTHER PURPOSE FOR WHICH LENT. | | HEAT TREAT | | DRN. | J. JOYCE | DATE | DMC DANIELS MANUFACTURING CORP. ORLANDO, FLORIDA GAGE 11851 | | |
| | | | | CHK'D. | RRR | DATE | | | |
| | | | | APP'D. | | DATE | | | |
| | | | | APP'D. | | DATE | | | |
| DO NOT SCALE DRAWING | | FINISH | | NOTE: | | | | | |
| | | | | THIS DRAWING IS AN OUTLINE DRAWING OF THE RESPECTIVE DMC PART NUMBER INDICATED. ACTUAL DMC PART NUMBER IS DRAWING NUMBER WITHOUT THE "-ENV" SUFFIX. | | | | | |
| | | | | TITLE | | WHERE USED: | | | |
| | | | | SIZE | SCALE | CAD P/N | SHEET | OF | |
| | | B | | 2X | | Y539-ENV | | 1 | 1 |
| | | POSTING | | DWG. NO. | | Y539-ENV | | 1 | 2 |