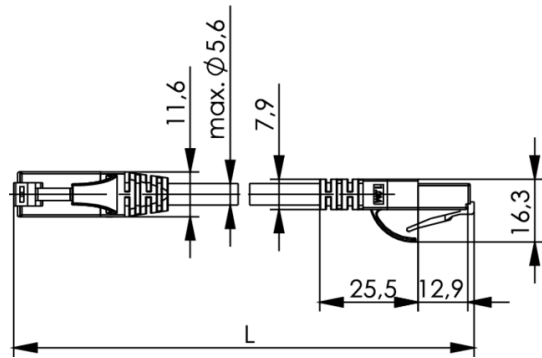


order number: L00001A0232

Patch cable U/UTP Cat.6, 2,0 m, red RAL 3017, LSZH



Technical Attributes	
Short name	MP8 250-2,0
Length	2,0 m
Colour	red

### Performance Characteristics

- pin assignment acc. to EIA/TIA 568B
- 90° / 180° / 270° moulded boot with latch protection
- Colours: grey, green, red, blue, yellow, black, white, purple
- Variants with very short boot
- flexible and strain relieved
- cable jacket and strain relief boot: PVC resp. LSZH (= Low Smoke, Zero Halogen)
- 360 degrees completely surround plug shielding (shielded cable types)
- moulded strain relief boot

Mechanical Characteristics	
Cable structure	Li2YH 4x2xAWG 24/7
Stranded wire	AWG 24 (7/0.2 mm)
Insulation	PE; Ø 1.0 mm (±0.05 mm)
Pair shielding	
Overall shielding	
Outer jacket	5.4 mm (±0.2 mm)

Climatic Characteristics	
flame-retardant test	IEC 60332-1
Operating temperature in °C	-20° C to 60° C
UL	E244889

Electrical Characteristics	
Current carrying capacity at 50°C	1 A
PoE+ acc to IEEE 802.3at	Adequate for Power over Ethernet+

Standards	
Connectors	IEC 60603-7-4

Transmission Characteristics	
10 Gigabit Ethernet acc. to IEEE 802.3an	
Gigabit Ethernet acc. to IEEE 802.3	Adequate for Gigabit Ethernet