

PTC-Resistor-Relay Type MS220C

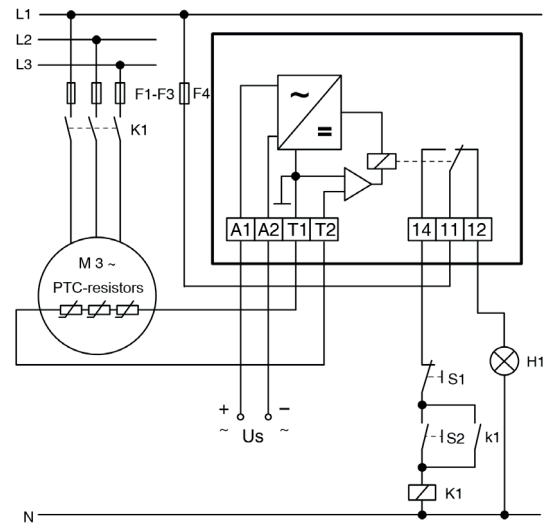
Single PTC-Circuit

MS220C



This compact device is the smallest version of all our PTC-resistor relays:

- terminals outside
- protection terminals IP 20
- Relays 1 change-over contact (co)
- GL-approval for version AC 220 - 240 V



Us = Anschlussspannung
S1 = Aus-Taster
S2 = Ein-Taster
H1 = Meldelampe Störung
F1-F4 = Sicherungen
K1 = Motorschutz

Us = supply voltage
S1 = pushbutton OFF
S2 = pushbutton ON
H1 = trip alarm
F1-F4 = fuse
K1 = contactor

Part numbers:

T221804 AC 220-240 V
T221830 AC/DC 24 V

Technical Data

Rated supply voltage U_s

AC 220-240 V $\pm 10\%$, 50/60 Hz, 2 VA
AC/DC 24 V, AC $+10/-15\%$, DC $+25/-20\%$,
< 1 W, < 2 VA, without potential separation

connectable PTC resistors
switching point

1... 6 PTC according to DIN 44 081 or 44 082
<4000 Ω

output relay
type of contact

1 change-over contact (co)
type 2 see "general technical information"

test conditions
rated ambient temperature
range

see "general technical information"
-20...+55 $^{\circ}\text{C}$

dimensions (h x w x d) attach-
ment

design C: 72 x 33 x 60 [mm]
on 35 mm of DIN rail according to EN 60 715
or with screws M4

protection housing / terminals
weight

IP 30 / IP 20
approx. 120 g