

PTC-Resistor-Relay Type MS(R)220K2

2 PTC-Circuits

MS220K2



The MS220K2 monitors 2 PTC-resistor sets at the same time. If a temperature rise occurs in one set, the appropriate output relay releases.

With this relay, 2 PTC-sets can be independently monitored on only 22.5 mm space

- 2 PTC-resistor sets, each 1... 6 PTC resistors
- output relays 2 x 1 change-over contact (co)
- LEDs for operation and alarm

Order numbers:

AC/DC 24 V

AC 230 V

T221923

T221925



MSR220K2



Same execution as MS220K 2, additionally with electronic reclosing lock:

- electronic reclosing lock (disconnectible)
- integrated RESET-button
- link for external RESET
- automatic RESET at voltage recovery

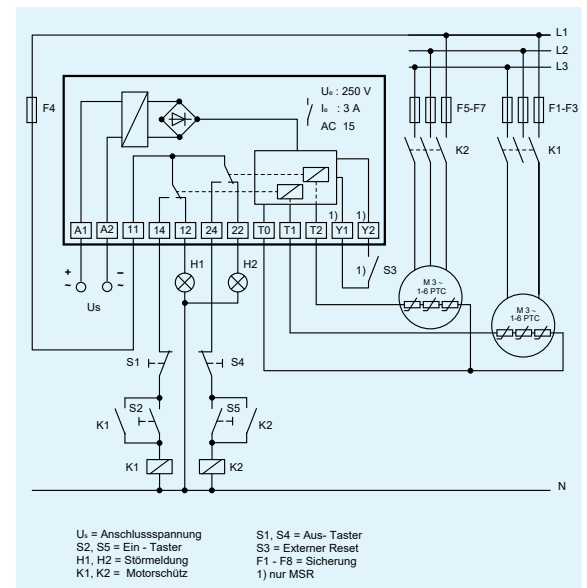
Order numbers:

AC/DC 24 V

AC 230 V

T221943

T221945



Technical Data

Rated supply voltage U_s

AC 230 V, ± 10 %, 50/60 Hz, ≤ 2 VA

AC/DC 24 V, AC ± 10 %, DC 21-30 V, < 2 VA, without potential separation

2 x 1... 6 PTC according to DIN 44 081 or 44 082 < 4000 Ω

2 x 1 change-over contact (co)

type 2 (see "general technical informations")

see "general technical informations"

-20...+55 °C

dimensions (h x w x d) attachment

design K: 75 x 22.5 x 110 [mm]

on 35 mm DIN rail according to DIN EN 50 022

or with screws M4 (option)

protection housing / terminals weight

IP 30 / IP 20

approx. 145 g