

PTC-Resistor-Relay Type MS(R)220K2

2 PTC-Circuits

MS220K2



The MS220K2 monitors 2 PTC-resistor sets at the same time. If a temperature rise occurs in one set, the appropriate output relay releases.

With this relay, 2 PTC-sets can be independently monitored on only 22.5 mm space

- 2 PTC-resistor sets, each 1... 6 PTC resistors
- output relays 2 x 1 change-over contact (co)
- LEDs for operation and alarm

Part numbers:

T221925

T221923

AC 230 V

AC/DC 24 V

MSR220K2



Same execution as MS220K2, additionally with electronic reclosing lock:

- electronic reclosing lock (disconnectible)
- integrated RESET-button
- link for external RESET
- automatic RESET at voltage recovery

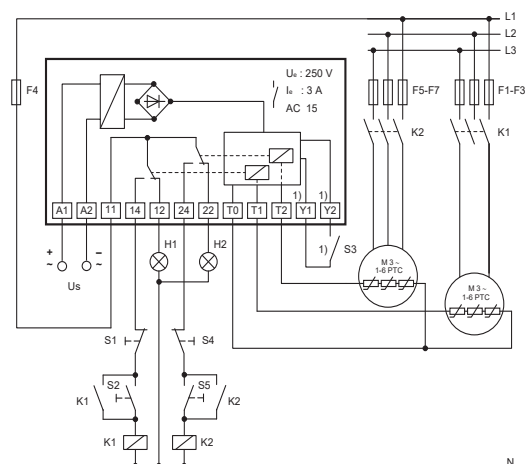
Part numbers:

T221945

T221943

AC 230 V

AC/DC 24 V



U_i = Anschlussspannung
S2, S5 = Ein - Taster
H1, H2 = Störmeldung
K1, K2 = Motorschutz

S1, S4 = Aus - Taster
S3 = Externer Reset
F1 - F8 = Sicherung
1) nur MSR

Technical Data

Rated supply voltage U_s

AC 230 V, ± 10 %, 50/60 Hz, ≤ 2 VA
AC/DC 24 V, AC ± 10 %, DC 21-30 V, < 2 VA,
without potential separation
2 x 1... 6 PTC according to DIN 44 081 or 44 082
< 4000 Ω
2 x 1 change-over contact (co)
type 2 (see "general technical informations")
see "general technical informations"
-20...+55 °C

connectable PTC resistors
switching point
output relays
type of contact
test conditions
rated ambient temperature
range

dimensions (h x w x d) attach-
ment

design K: 75 x 22.5 x 110 [mm]
on 35 mm DIN rail according to DIN EN 50 022
or with screws M4 (option)
IP 30 / IP 20
approx. 145 g

protection housing / terminals
weight