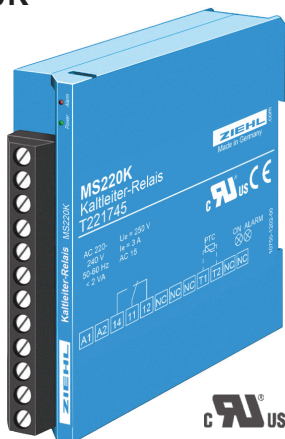


PTC-Resistor-Relay Type MS(R)220K

Single PTC-Circuit

MS220K



The MS220K is a particularly economical standard design in a 22,5 mm wide housing with vertically arranged terminals. Each terminal remains accessible even if all others are already occupied.

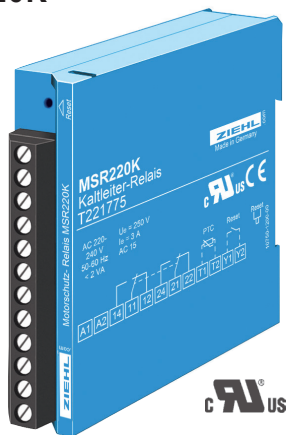
- 1 PTC resistor set 1... 6 PTC resistors
- output relay with 1 or 2 change-over (co) contacts
- 2 LEDs for ON and ALARM
- K-type housing, vertically arranged terminals, 22,5 mm wide

- assembly on 35 mm DIN rail or with 2 screws M4 (option)
- UL Recognized Component
- Option:

Part numbers:

1 CO	2 CO	
T221745	T221765	AC 220-240 V
T221741	T221761	AC/DC 24 V
1 CO / 1 NO		
T221749		AC 220-240 V

MSR220K

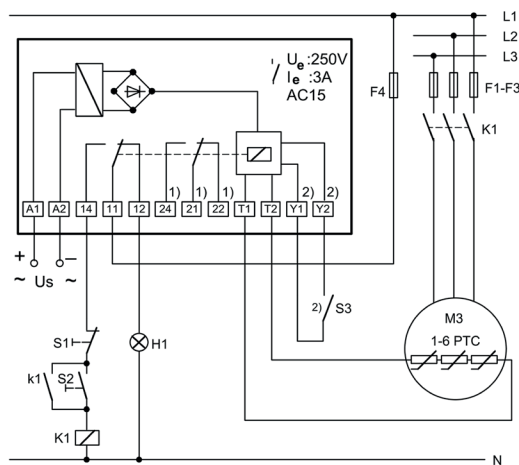


Same execution as MS220K, additionally with electronic reclosing lock. A switching is stored until a RESET.

- electronic reclosing lock (disconnectable)
- integrated RESET-button
- link for external RESET
- automatic RESET at voltage recovery
- LEDs for power ON (green) and alarm (red) in reset-button
- UL Recognized Component
- Option: other supply-voltages

Part numbers:

2 CO	
T221775	AC 220-240 V
T221771	AC/DC 24 V



Us = supply voltage
S1 = pushbutton OFF
S2 = pushbutton ON
S3 = external reset
H1 = trip alarm

F1 - F4 = fuses
K1 = contactor
1) only versions with 2xCO
2) only MSR

Technical Data

Rated supply voltage U_s

connectable PTC resistors
switching point
output relay
type of contact
test conditions
rated ambient temperature range
dimensions (h x w x d) attachment

protection housing / terminals
weight

AC 220 - 240 V, $\pm 10\%$, 50/60 Hz, ≤ 2 VA
AC/DC 24 V, AC $\pm 10\%$ DC 21-30 V < 2 VA,
without potential separation
AC/DC 24-240 V, AC 14-264 V, DC 20-297 V < 2 VA
1... 6 PTC according to DIN 44 081 or 44 082
 $< 4000 \Omega$
1 or 2 change-over contacts (co)
type 2 see "general technical information"
see "general technical information"
 $-20...+55^\circ\text{C}$

design K: 75 x 22.5 x 110 [mm]
on 35 mm DIN rail according to DIN EN 50 022
or with screws M4 (option)
IP 30 / IP 20
approx. 150 g