

Emergency stop and safety gate modules NA12D

CARLO GAVAZZI



- Safety Category 4 according to EN 954-1
- Redundant circuit
- Force guided relay contacts
- Dual channel input
- 2 NO safety outputs
- Failure diagnosis by LEDs
- Feedback circuit for external contactors monitoring
- Automatic or manual start

Product Description

Emergency stop and safety gate module according to EN 60204-1, EN 292-1 /-2, EN 418 and EN 1088. The safety module is in safety category 4 and is provided with 2 NO safety outputs. It can be used together with safety magnetic sensors SMS series, safety switches or emergency push buttons.

Ordering Key

NA12 D

Housing _____
 Application _____
 Controlled Devices _____
 Safety Outputs _____
 Safety Category _____

Electrical Specifications

Power supply	24 VAC -15/+10% 50-60Hz / 24 VDC -15/+10%
Power consumption	< 5 VA / 5 W
Safety outputs	2 NO
Auxiliary outputs	--
Contact ratings	
Resistive loads AC1	6 A @ 230 VAC
DC12	6 A @ 24 VDC
Small inductive loads AC15	3 A @ 230 VAC
DC13	2.5 A @ 24 VDC

Safety output contact fuse protection	5 A fast or 4 A delayed
Insulation voltage	none
Supply to input	4 kV 1.2/50µs
Supply to output	4 kV 1.2/50µs
Input to output	Pollution degree 2 Overvoltage category III

Time Specifications

Delay on energisation	≤ 150 ms
Delay on de-energisation	≤ 30 ms
Channel simultaneity	∞

Environmental Specifications

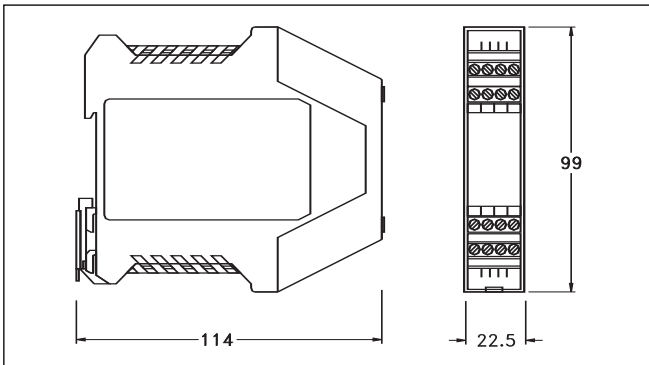
Operating temperature	-20°C ... + 65°C
Storage temperature	-25°C ... + 65°C

Mechanical Specifications

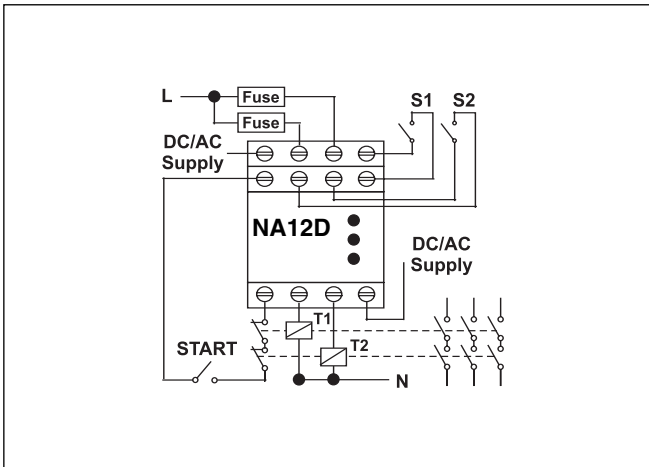
Protection degree terminals	IP 20
Protection degree housing	IP 40
Housing material	Polyamid PA 6.6
Housing type	22.5 mm housing models
Mounting	DIN rail

Max cross section of external conductors	2.5 mm ² flexible wire 2.5 mm ² rigid wire
Dimensions	22.5 x 99 x 114 mm
Weight	200 g

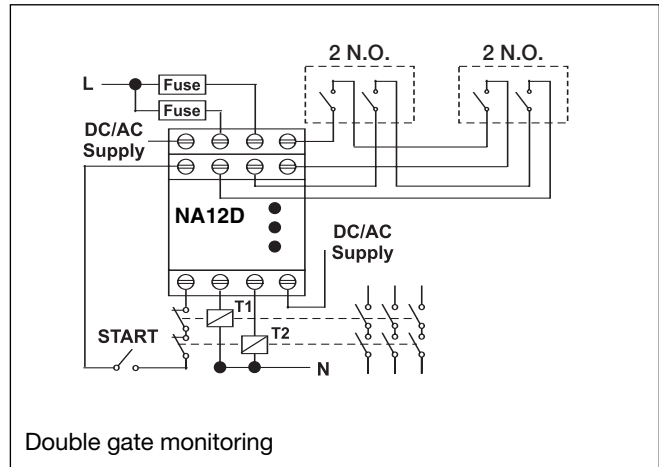
Dimensions



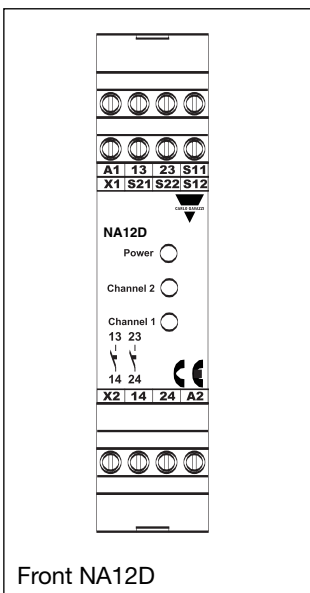
Wiring Diagrams



Application



Connection Sample



Connections

Terminal	Function/Connection
A1	+24 VDC or AC supply
A2	GND or AC supply
S11-S12	First input channel (NO)
S21-S22	Second input channel (NO)
X1-X2	Feedback and Reset circuit input
13-14	First safety output (NO)
23-24	Second safety output (NO)