

Emergency Stop and Safety Gate Modules NA13D

CARLO GAVAZZI



- Safety Category 4, Performance Level e according to EN13849-1
- Safety Category 4 according to EN954-1
- Category 0 Emergency Stop
- 3 NO safety outputs
- 1 NC auxiliary output
- 24 VAC / VDC, 110 VAC or 230 VAC power supply
- Single/dual channel
- Automatic or manual reset
- Self monitoring
- Failure diagnosis by LEDs
- Approvals: TÜV NORD, cULus

Product Description

Emergency Stop and Safety Gate modules according to EN 60204-1, EN 292-1/-2, EN 418 and EN 1088. This family of safety module in Safety Category 4, Perfor-

mance Level e, includes 24 VAC/VDC, 110 VAC or 230 VAC. Every model is characterized by dual channel input and safety output contacts with force guided relay outputs.

Ordering Key

NA13 D 230

Housing _____
 Application _____
 Controlled Devices _____
 Safety Outputs _____
 Safety Category _____
 Power Supply _____

Type Selection

Power supply	References
24 VAC/VDC	NA13D
110 VAC	NA13D110CG
230 VAC	NA13D230CG

Electrical Specifications

Power supply	NA13D NA13D110CG NA13D230CG	24 VAC/DC ± 10% 110 VAC ± 10% 230 VAC ± 10%	Contact fuse protection	5 A fast or 4 A slow
Power consumption		4 VA / 4 W	Insulation voltage	Pollution degree: 2 Overvoltage Category: 3 / 250 V 24 VAC/DC xxx AC none 4 kV 1.2/50µs 4 kV 1.2/50µs 4 kV 1.2/50µs 4 kV 1.2/50µs 4 kV 1.2/50µs
Safety outputs		3 NO	Supply to input	
Auxiliary outputs		1 NC	Supply to output	
Contact ratings			Input to output	
Resistive loads	AC1 DC12	6 A @ 230 VAC 6 A @ 24 VDC		
Small inductive loads	AC15 DC13	3 A @ 230 VAC 2.5 A @ 24 VDC		

Time Specifications

Delay on energisation	< 150 ms
Delay on de-energisation	< 30 ms
Channel simultaneity	∞

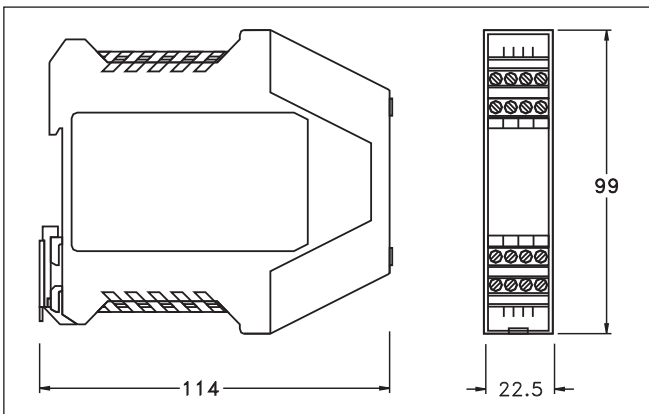
Environmental Specifications

Operating temperature	-25°C ... + 55°C
Storage temperature	-25°C ... + 65°C

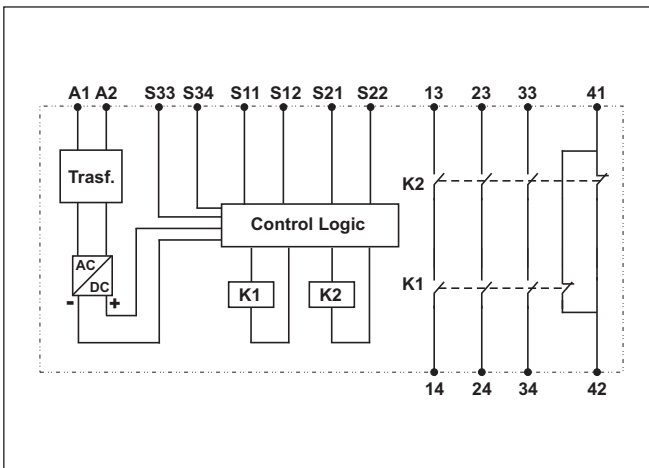
Mechanical Specifications

Protection degree terminals	IP 20	Max cross section of external conductors	2.5 mm ² rigid wire 2.5 mm ² flexible wire
Protection degree housing	IP 40	Dimensions	22.5 x 99 x 114 mm
Housing material	Polyamid PA6.6	Weight	
Housing type	22.5 mm housing models	NA13D	170 g
Mounting	DIN rail	NA13D230CG, NA13D110CG	238 g

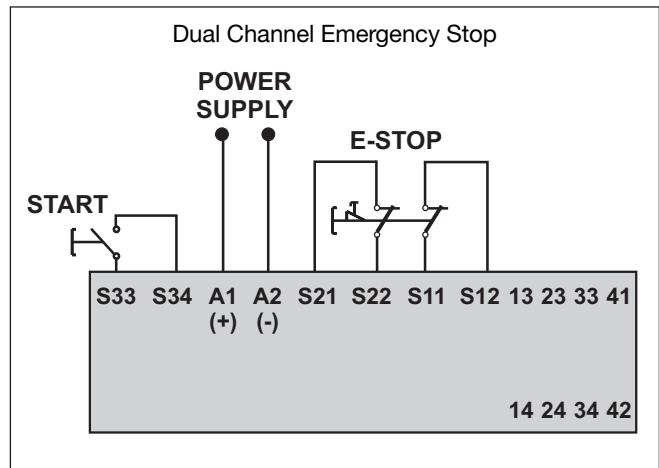
Dimensions



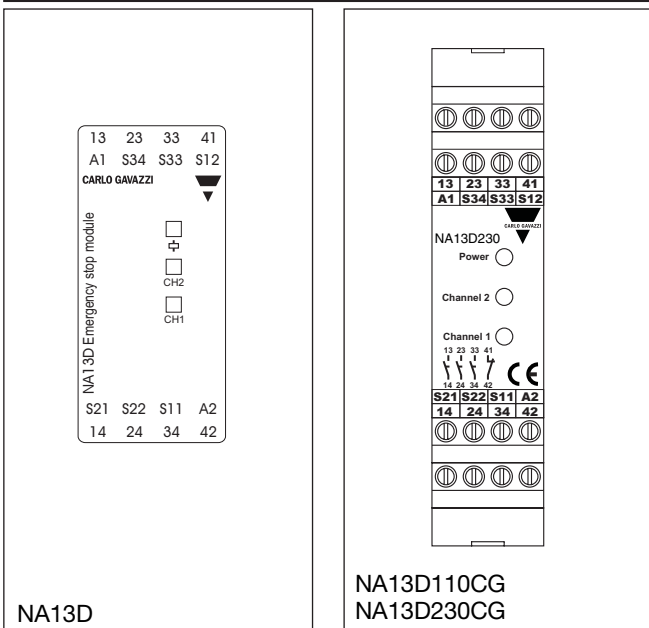
Wiring Diagrams



Application



Connection Sample



Connections

Terminal Function	Connection
A1	+24 VDC or AC supply
A2	GND or AC supply
S11-S12	First input channel (E-STOP or Safety Switch Channel 1)
S21-S22	Second input channel (E-STOP or Safety Switch Channel 2)
S33-S34	START (automatic or manual)
13-14	First safety output (NO)
23-24	Second safety output (NO)
33-34	Third safety output (NO)
41-42	Auxiliary output (NC)