



0.1 MHz to 50 GHz 2.4mm Bias Tee Rated
 To 150 mA And 25 Volts DC

TECHNICAL DATA SHEET

PE1610

0.1 MHz to 50 GHz 2.4mm Bias Tee Rated To 150 mA And 25 Volts DC

Configuration

| | |
|------------------------------------|--------------|
| RF Port Connector | 2.4mm Female |
| RF Port Connector Impedance | 50 Ohms |
| RF Port Connector Specification | MIL-STD-348 |
| DC/RF Port Connector | 2.4mm Male |
| DC/RF Port Connector Impedance | 50 Ohms |
| DC/RF Port Connector Specification | MIL-STD-348 |
| DC Port Connector | SMA Female |

Electrical Specifications

| | |
|----------------------------------|--------------|
| Frequency Range, GHz | 0.0001 to 50 |
| Maximum RF to Bias Isolation, dB | 50 |
| Maximum RF Input Power, Watts | 5 |
| Maximum DC Voltage, Volts | 25 |
| Maximum DC Current, mA | 150 |

Frequency 1

| | |
|--------------------|--------------|
| Frequency, GHz | 0.0001 to 18 |
| VSWR | 1.6:1 |
| Insertion Loss, dB | 1.5 |

Frequency 2

| | |
|--------------------|----------|
| Frequency, GHz | 18 to 50 |
| VSWR | 1.8:1 |
| Insertion Loss, dB | 3 |

Mechanical Specifications

Size

| | |
|---------------------|--------------|
| Length, in [mm] | 1.55 [39.37] |
| Width/Dia., in [mm] | 0.5 [12.7] |
| Height, in [mm] | 1.48 [37.59] |

RF Port Connector

| | |
|--------------------------------------|------------------------|
| Type | 2.4mm Female |
| Inner Conductor Material and Plating | Beryllium Copper, Gold |
| Body Material and Plating | Beryllium Copper, Gold |

RF/DC Port Connector

| | |
|--------------------------------------|------------------------|
| Type | 2.4mm Male |
| Inner Conductor Material and Plating | Beryllium Copper, Gold |
| Body Material and Plating | Beryllium Copper, Gold |

Click the following link (or enter part number in "SEARCH" on website) to obtain additional part information including price, inventory and certifications: [0.1 MHz to 50 GHz 2.4mm Bias Tee Rated To 150 mA And 25 Volts DC PE1610](#)

The information contained in this document is accurate to the best of our knowledge and representative of the part described herein. It may be necessary to make modifications to the part and/or the documentation of the part, in order to implement improvements. Pasternack reserves the right to make such changes as required. Unless otherwise stated, all specifications are nominal.





0.1 MHz to 50 GHz 2.4mm Bias Tee Rated
To 150 mA And 25 Volts DC

TECHNICAL DATA SHEET

PE1610

DC Port Connector

| | |
|---------------------------|----------------------------|
| Type | SMA Female |
| Body Material and Plating | Passivated Stainless Steel |

Compliance Certifications (visit www.Pasternack.com for current document)

| | |
|----------------|-----|
| RoHS Compliant | Yes |
|----------------|-----|

Plotted and Other Data

| | |
|--------|----------------------------|
| Notes: | Values at 25 °C, sea level |
|--------|----------------------------|

0.1 MHz to 50 GHz 2.4mm Bias Tee Rated To 150 mA And 25 Volts DC from Pasternack Enterprises has same day shipment for domestic and International orders. Our RF, microwave and fiber optic products maintain a 99% availability and are part of the broadest selection in the industry.

Click the following link (or enter part number in "SEARCH" on website) to obtain additional part information including price, inventory and certifications: [0.1 MHz to 50 GHz 2.4mm Bias Tee Rated To 150 mA And 25 Volts DC PE1610](http://www.pasternack.com/0.1-mhz-50-ghz-2.4mm-bias-tee-250-ma-25-volts-dc-pe1610-p.aspx)

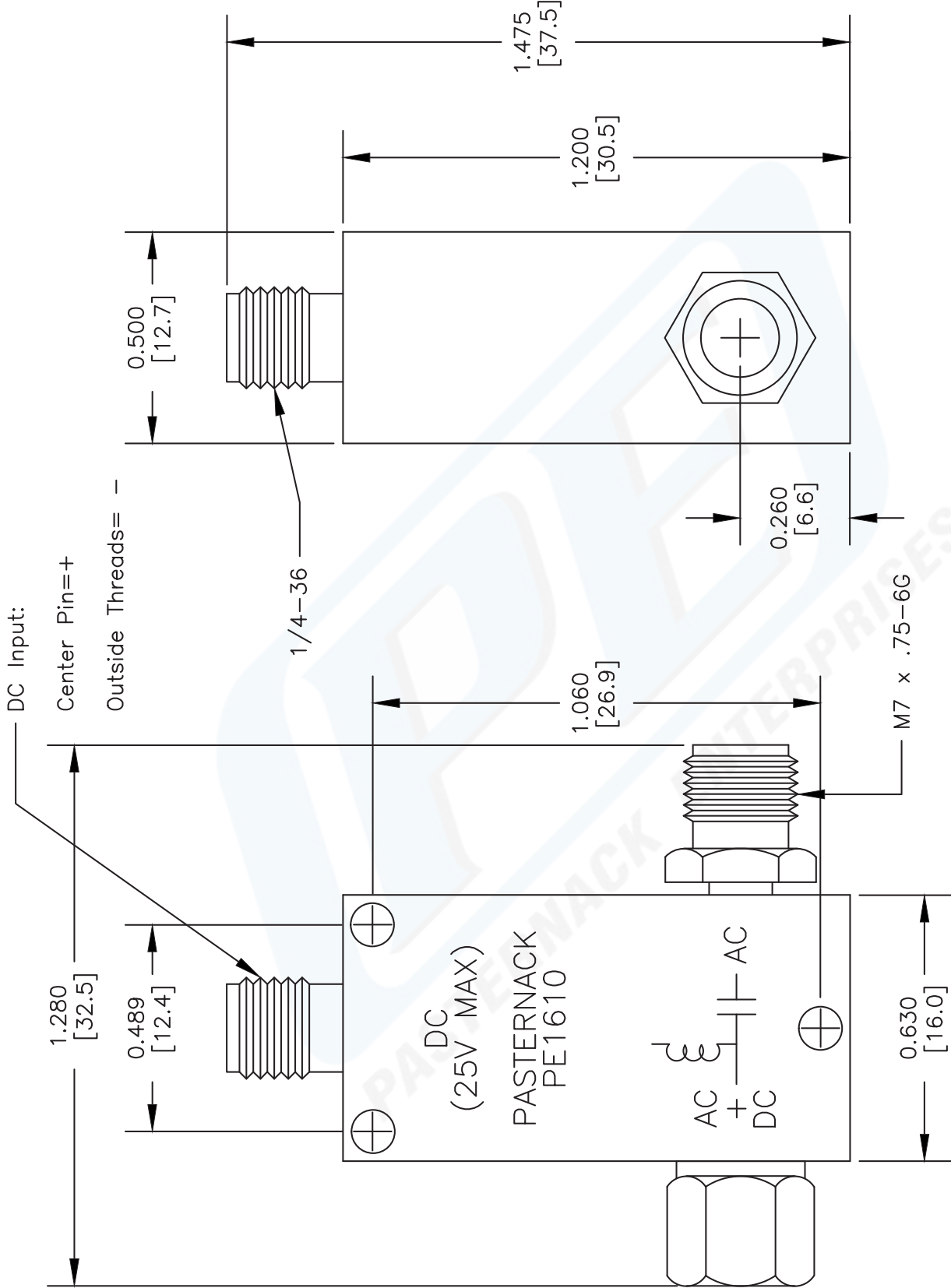
URL: <http://www.pasternack.com/0.1-mhz-50-ghz-2.4mm-bias-tee-250-ma-25-volts-dc-pe1610-p.aspx>

The information contained in this document is accurate to the best of our knowledge and representative of the part described herein. It may be necessary to make modifications to the part and/or the documentation of the part, in order to implement improvements. Pasternack reserves the right to make such changes as required. Unless otherwise stated, all specifications are nominal.



PE1610 CAD Drawing

0.1 MHz to 50 GHz 2.4mm Bias Tee Rated To 150 mA And 25 Volts DC



DWG TITLE

PE1610

FSCM NO. 53919

NOTES:
1. UNLESS OTHERWISE SPECIFIED ALL DIMENSIONS ARE NOMINAL.
2. ALL SPECIFICATIONS ARE SUBJECT TO CHANGE WITHOUT NOTICE AT ANY TIME.
3. DIMENSIONS ARE IN INCHES [mm].

CAD FILE 092804

SCALE N/A

SIZE A

XXXX

PE PASTERNAK[®]

Pasternack Enterprises, Inc.
P.O. Box 16759 | Irvine | CA | 92623
Phone: (949) 261-1920 | Fax: (949) 261-7451
Website: www.pasternack.com | E-Mail: sales@pasternack.com