



3/4 inch-20 Twinax Female Bulkhead Mount Connector  
Solder Attachment Solder Cup Terminal, .720 inch D Hole

RF Connectors Technical Data Sheet

PE4105

**Configuration**

- 3/4"-20 Twinax Female Connector
- 95 Ohms
- Straight Body Geometry
- Solder Cup Interface Type
- Solder Attachment
- Bulkhead

**Features**

- Gold Plated Brass Contact

**Applications**

- General Purpose Test
- Rack and Panel Mount Applications

**Description**

Pasternack's PE4105 3/4 inch-20 Twinax female bulkhead mount connector solder attachment solder cup terminal, .720 inch D hole is part of our full line of RF components available for same-day shipping. This 3/4 inch-20 Twinax bulkhead connector allows designers to create external connections on their product enclosures, and can be used in a variety of other rack mount and panel mount applications.

Our 95 ohm 3/4 inch-20 Twinax female bulkhead connector PE4105 datasheet specifications and drawing with dimensions are shown below in this PDF. Pasternack's broad catalog of RF, microwave and millimeter wave connectors allows designers to configure and customize their signal connections however they like. Whether the need is to provide an I/O for a board design, or simply create a custom cable assembly configuration, Pasternack has the right connector for the job. Pasternack can also expertly build your custom cable connector assemblies for you and ship same-day.

**Mechanical Specifications**

**Size**

Length	1.537 in [39.04 mm]
Width/Dia.	0.945 in [24.00 mm]
Weight	0.096 lbs [43.54 g]

**Material Specifications**

Description	Material	Plating
Contact	Brass	Gold
Insulation	PBT	
Body	Brass	Nickel

Click the following link (or enter part number in "SEARCH" on website) to obtain additional part information including price, inventory and certifications: [3/4 inch-20 Twinax Female Bulkhead Mount Connector Solder Attachment Solder Cup Terminal, .720 inch D Hole PE4105](#)



3/4 inch-20 Twinax Female Bulkhead Mount Connector  
Solder Attachment Solder Cup Terminal, .720 inch D Hole

RF Connectors Technical Data Sheet

PE4105

**Compliance Certifications** (see [product page](#) for current document)

**Plotted and Other Data**

Notes:

3/4 inch-20 Twinax Female Bulkhead Mount Connector Solder Attachment Solder Cup Terminal, .720 inch D Hole from Pasternack Enterprises has same day shipment for domestic and International orders. Our RF, microwave and millimeter wave products maintain a 99% availability and are part of the broadest selection in the industry.

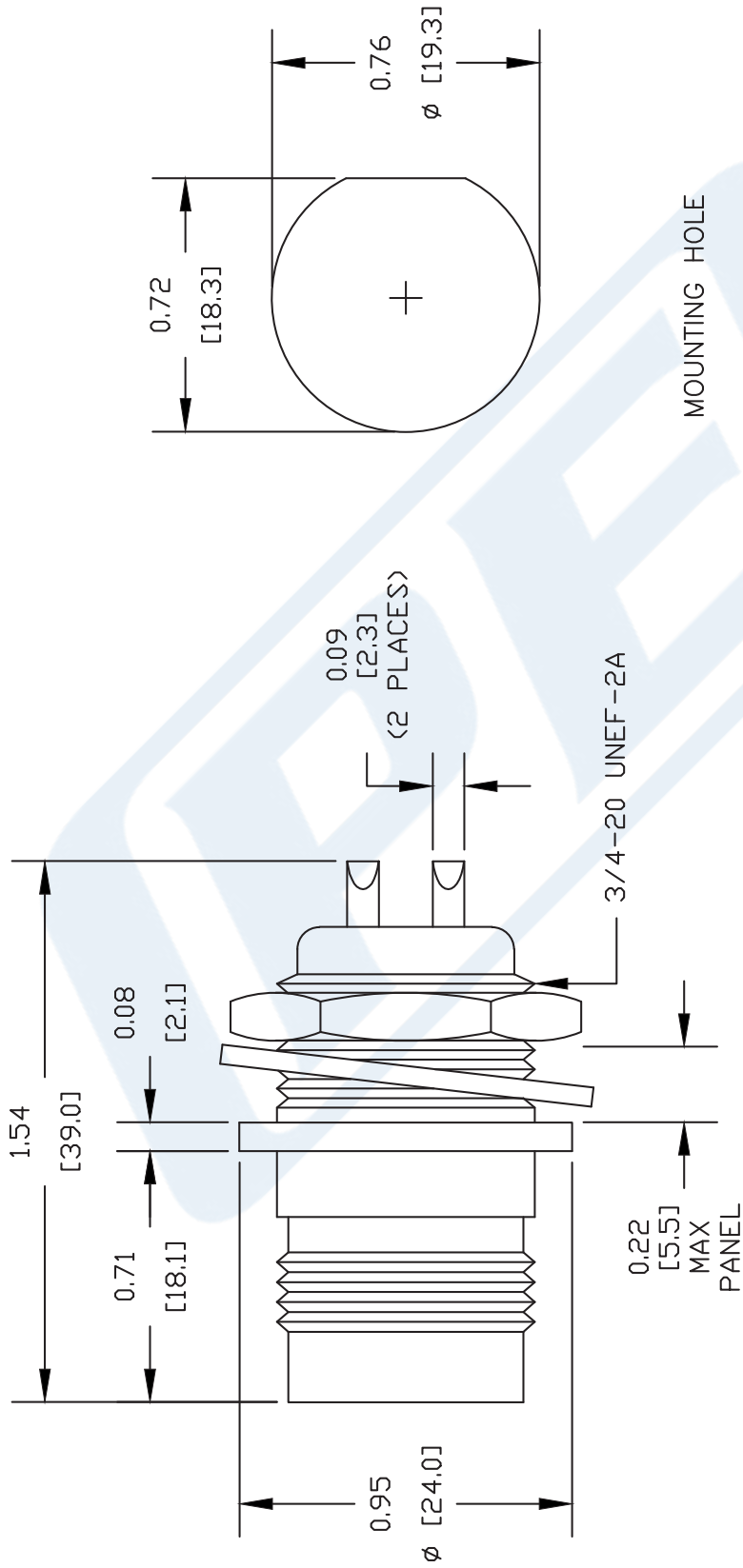
Click the following link (or enter part number in "SEARCH" on website) to obtain additional part information including price, inventory and certifications: [3/4 inch-20 Twinax Female Bulkhead Mount Connector Solder Attachment Solder Cup Terminal, .720 inch D Hole PE4105](#)

URL: <https://www.pasternack.com/3-4-inch-20-female-standard-solder-cup-terminal-connector-pe4105-p.aspx>

The information contained in this document is accurate to the best of our knowledge and representative of the part described herein. It may be necessary to make modifications to the part and/or the documentation of the part, in order to implement improvements. Pasternack reserves the right to make such changes as required. Unless otherwise stated, all specifications are nominal. Pasternack does not make any representation or warranty regarding the suitability of the part described herein for any particular purpose, and Pasternack does not assume any liability arising out of the use of any part or documentation.

# PE4105 CAD Drawing

3/4 inch-20 Twinax Female Bulkhead Mount Connector Solder Attachment Solder Cup Terminal, .720 inch D Hole



MOUNTING HOLE

DWG TITLE

**PE4105**

NOTES:  
 1. UNLESS OTHERWISE SPECIFIED ALL DIMENSIONS ARE NOMINAL.  
 2. ALL SPECIFICATIONS ARE SUBJECT TO CHANGE WITHOUT NOTICE AT ANY TIME.  
 3. DIMENSIONS ARE IN INCHES [mm].  
 4. FITS MIL-C-17 AND EQUIVALENT CABLES.

REV. -

FSCM NO. 53919

CAD FILE 042309

SCALE N/A

SIZE A

147

**PE PASTERNAK®**  
 Pasternack Enterprises, Inc.  
 P.O. Box 16759 | Irvine | CA | 92623  
 Phone: (949) 261-1920 | Fax: (949) 261-7451  
 Website: www.pasternack.com | E-Mail: sales@pasternack.com