



Crimp Tool With 0.068, 0.100, 0.128, 0.178 Hex Sizes For RG174, RG179, RG180, RG187, RG188, RG195, RG316

TECHNICAL DATA SHEET

PE5006

Crimp Tool With 0.068, 0.100, 0.128, 0.178 Hex Sizes For RG174, RG179, RG180, RG187, RG188, RG195, RG316

Configuration

Tool Type	Crimp Tool
Hex Size,	0.068, 0.100, 0.128, 0.178
Cable Type	RG174, RG179, RG180, RG187, RG188, RG195, RG316

Mechanical Specifications

Size	
Length, in [cm]	225.4 [572.52]
Width, in [cm]	63.1 [160]
Handle Color	Red

Compliance Certifications (visit www.Pasternack.com for current document)

RoHS Compliant	Yes
----------------	-----

Plotted and Other Data

Notes:	Values at 25 °C, sea level
--------	----------------------------

Crimp Tool With 0.068, 0.100, 0.128, 0.178 Hex Sizes For RG174, RG179, RG180, RG187, RG188, RG195, RG316 from Pasternack Enterprises has same day shipment for domestic and International orders. Our RF, microwave and fiber optic products maintain a 99% availability and are part of the broadest selection in the industry.

Click the following link (or enter part number in "SEARCH" on website) to obtain additional part information including price, inventory and certifications: [Crimp Tool With 0.068, 0.100, 0.128, 0.178 Hex Sizes For RG174, RG179, RG180, RG187, RG188, RG195, RG316 PE5006](http://www.pasternack.com/crimp-tool-0.068-0.100-0.128-0.178-hex-sizes-for-rg174-rg179-rg180-rg187-rg188-rg195-rg316-pe5006)

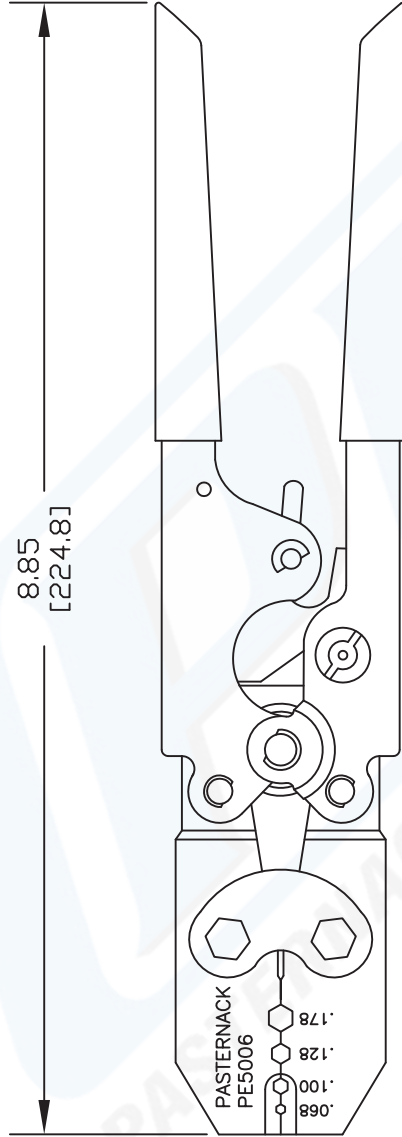
URL: <http://www.pasternack.com/crimp-tool-0.068-0.100-0.128-0.178-rg174-rg179-rg187-rg188-rg195-rg316-pe5006-p.aspx>

The information contained in this document is accurate to the best of our knowledge and representative of the part described herein. It may be necessary to make modifications to the part and/or the documentation of the part, in order to implement improvements. Pasternack reserves the right to make such changes as required. Unless otherwise stated, all specifications are nominal.



PE5006 CAD Drawing

Crimp Tool With 0.068, 0.100, 0.128, 0.178 Hex Sizes For
RG174, RG179, RG180, RG187, RG188, RG195, RG316



NOTES:
1. UNLESS OTHERWISE SPECIFIED ALL DIMENSIONS ARE NOMINAL.
2. ALL SPECIFICATIONS ARE SUBJECT TO CHANGE WITHOUT NOTICE AT ANY TIME.
3. DIMENSIONS ARE IN INCHES [mm].

DWG TITLE
PE5006

XXXX

SIZE A

SCALE N/A

CAD FILE 030308-A

FSCM NO. 53919

PE PASTERNAK®
Pasternack Enterprises, Inc.
P.O. Box 16759 | Irvine | CA | 92623

Phone: (949) 261-1920 | Fax: (949) 261-7451

Website: www.pasternack.com | E-Mail: sales@pasternack.com